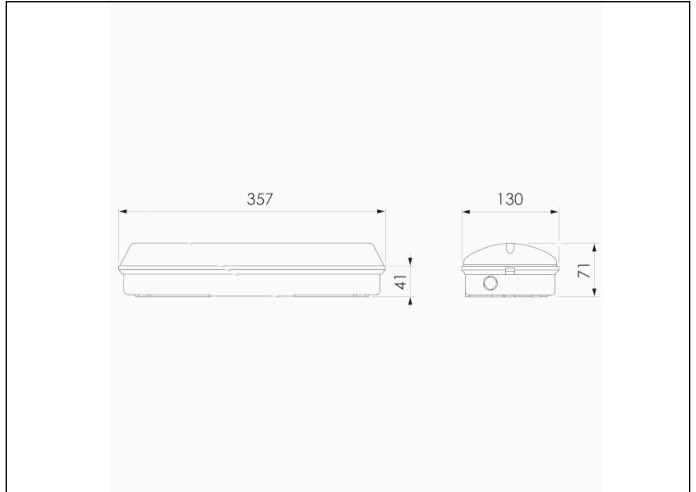


Graphic reference



Dimensions



Control System: AutoTest
Centralized Wireless

Luminaire: Self-Contained

Standards: EN-60598-1,
EN-60598-2-22, EN-62034

Certification: CE, ENEC



Electrical characteristics

Supply: 230V 50Hz<4.6W

Maintained mode consumption: 4.6 W

Non-maintained mode consumption: 2.7 W

Working temperature: -30°C - +25°C

Emergency lamp: 12 x LED 0.5W

Emergency lumen output: 390 lm

Maintained lumen output: 235 lm

Battery: 3.2V-1.5Ah LFP

Class: II

Mode: M/NM

Power factor: - %

Signaling Luminaire: -

LED temperature: 4000°K

Duration: 1 h

Remote control: No

Charging time: 24 h

Mechanical characteristics

Envelope: Polycarbonate

Diffuser: Matted Polycarbonate

Suitable for flammable surfaces: Yes

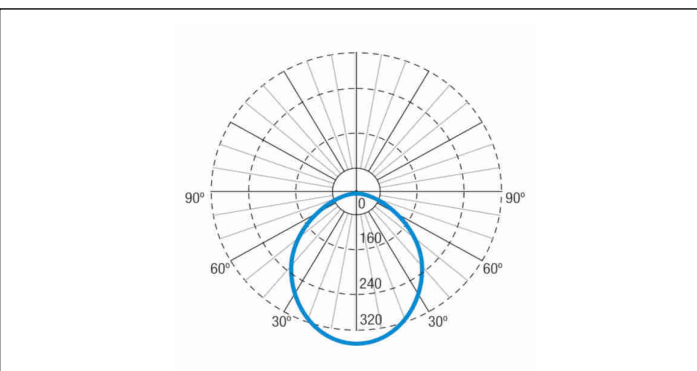
ATEX Envelope:

IP/IK: IP65/IK10

Finish: White RAL9003

Weight: 0,75KG

Photometric curve



Interdistance

Installation height



| | | |
|-------|---------|---------|
| 2,0 m | 9,99 m | 9,99 m |
| 2,5 m | 11,03 m | 11,03 m |
| 3,0 m | 11,92 m | 11,92 m |
| 3,5 m | 12,68 m | 12,68 m |

Installation characteristics

Maintained luminaires use 3 terminals to enable / disable the maintained mode.

Installation with mounting plate.

Possibility of installation in:

Ceiling/Wall surface.

Possibility of connection with:

Surface tube wiring.

It has 3 pre-marked entries for PG-11 cable glands (not included), for mounting with surface pipe.

Operating characteristics

The luminaire has status LEDs, which indicates:

Status of the battery charging circuit.

Battery status (duration)

Emergency status function.

Test status.

Microprocessor controlled luminaire

The luminaire can be connected to a control unit.

When the luminaire is installed without a control unit, it performs periodic and automatic tests.

Functional test every 7 days.

Duration test every 365 days.

The test result is shown in the status indicator LEDs.

Wireless communication that allows: Communication with Control unit by wireless communication with a 868Mhz frequency system.

General Envelope data

Accessories

ADBA008



ACC. DIF. PANEL ARIAN WHITE
WITHOUT SERIG.

APA818



ACC. PICTO. ARIAN PERSON +UP
ARROW

AGA230



ACC. PROTEC. GRILLE ARIAN