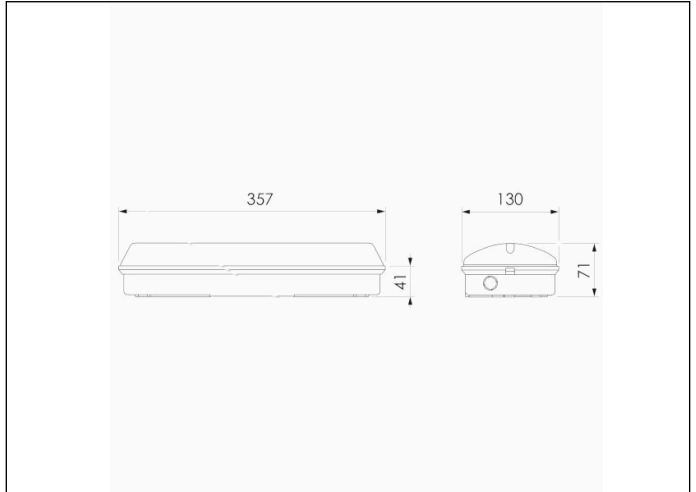


Graphic reference



Dimensions



Control System: AutoTest

Luminaire: Self-Contained

Standards: EN-60598-1,
EN-60598-2-22, EN-62034

Certification: CE, ENEC



Electrical characteristics

Supply: 230V 50Hz<3.0W

Maintained mode consumption: - W

Non-maintained mode consumption: 3,0 W

Working temperature: -20°C - +25°C

Emergency lamp: 12 x LED 0.5W

Emergency lumen output: 390 lm

Maintained lumen output: - lm

Battery: 3.2V-1.5Ah LFP

Class: II

Mode: NM

Power factor: - %

Signaling Luminaire: -

LED temperature: 4000°K

Duration: 1 h

Remote control: Yes

Charging time: 24 h

Mechanical characteristics

Housing: Polycarbonate

Diffuser: Matted Polycarbonate

Suitable for flammable surfaces: Yes

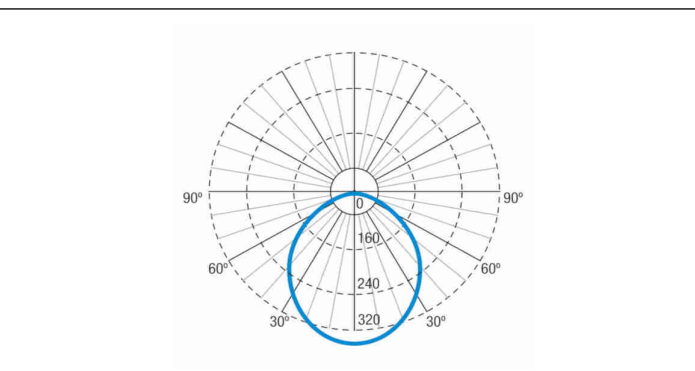
ATEX Envelope:

IP/IK: IP65/IK10

Finish: White RAL9003

Weight: 0,75KG

Photometric curve



Interdistance

Installation height



2,0 m 9,99 m 9,99 m

2,5 m 11,03 m 11,03 m

3,0 m 11,92 m 11,92 m

3,5 m 12,68 m 12,68 m

Installation characteristics

Maintained luminaires use 3 terminals to enable / disable the maintained mode.
Installation with mounting plate.
Possibility of installation in:
 Ceiling/Wall surface.
Possibility of connection with:
 Surface tube wiring.
It has 3 pre-marked entries for PG-11 cable glands (not included), for mounting with surface pipe.

Operating characteristics

The luminaire has status LEDs, which indicates:
 Status of the battery charging circuit.
 Battery status (duration)
 Emergency status function.
 Test status.

Microprocessor controlled luminaire that performs periodic and automatic tests.
 Functional test every 7 days.
 Duration test every 365 days.

The test result is shown in the status indicator LEDs.

Remote control input that allows:
 Put on Standby without power supply.
 Restart in emergency status without power supply.
 Switch on in emergency status (more than 24 h of charge)
 Manual and remote duration test. (more than 24 hours of charge).
 Date and time programming of the tests.
 Reset of the luminaire status.

General Envelope data

Accessories

BRC210



ACC. FIXATION FLANGE ARIAN

BRC045



ACC. BRIDA FIJACION SUP. ARIAN

AGA230



ACC. PROTEC. GRILLE ARIAN

ADBA008



ACC. DIF. PANEL ARIAN WHITE
WITHOUT SERIG.

APV616



ACC. PICTO. DIANA FLAT PERSON +
LEFT ARROW

APV617



ACC. PICTO. DIANA FLAT PERSON +
RIGHT ARROW

APV618



ACC. PICTO. DIANA FLAT PERSON
+UP ARROW

APV619



ACC. PICTO. DIANA FLAT PERSON +
DOWN ARROW