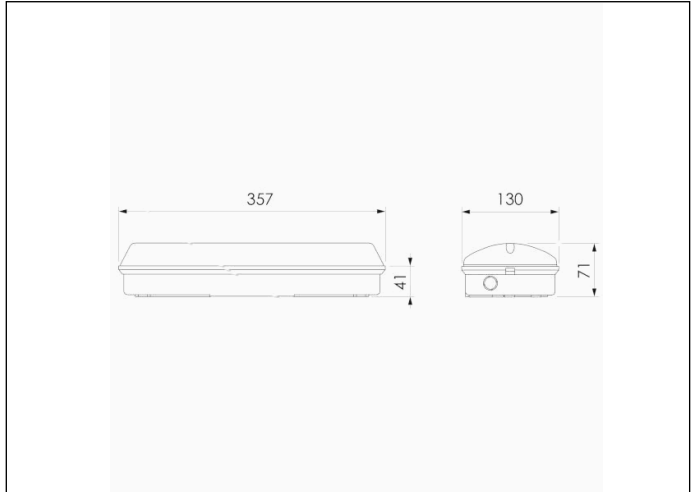


Graphic reference



Dimensions



Control System: SmartZ

Luminaire: Self-Contained

Standards: EN-60598-1,
EN-60598-2-22, EN-62034,
ETSI EN 303 446-1 V1.2.1

Certification: CE



Electrical characteristics

Supply: 230V 50Hz<3.5W

Maintained mode consumption: - W

Non-maintained mode consumption: 3,5 W

Working temperature: -20°C - +25°C

Emergency lamp: 12 x LED 1W

Emergency lumen output: 700 lm

Maintained lumen output: - lm

Battery: 6.4V-1.5Ah LFP

Class: II

Mode: NM

Power factor: - %

Signaling Luminaire: -

LED temperature: 4000°K

Duration: 1 h

Remote control: No

Charging time: 24 h

Mechanical characteristics

Housing: Polycarbonate

Diffuser: Matted Polycarbonate

Suitable for flammable surfaces: Yes

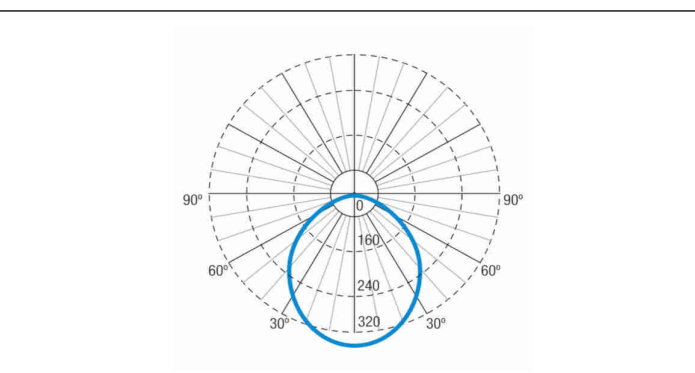
ATEX Envelope:

IP/IK: IP65/IK10

Finish: White RAL9003

Weight: 0,75KG

Photometric curve



Interdistance

Installation height



2,0 m	10,51 m	10,51 m
2,5 m	12,97 m	12,97 m
3,0 m	14,08 m	14,08 m
3,5 m	15,06 m	15,06 m

Installation characteristics

Maintained luminaires use 3 terminals to enable / disable the maintained mode.
Installation with mounting plate.
Possibility of installation in:
 Ceiling/Wall surface.
Possibility of connection with:
 Surface tube wiring.
It has 3 pre-marked entries for PG-11 cable glands (not included), for mounting with surface pipe.

Operating characteristics

The luminaire has status LEDs, which indicates:
 Status of the battery charging circuit.
 Battery status (duration)
 Emergency status function.
 Test status.
Microprocessor controlled luminaire
The luminaire can be connected to a control unit.
When the luminaire is installed without a control unit, it performs periodic and automatic tests.
 Functional test every 7 days.
 Duration test every 365 days.
The test result is shown in the status indicator LEDs.
Wireless communication that allows: Communication with Control unit by wireless communication with a 2.4Ghz frequency system.

General Envelope data

Accessories

ADBA008



ACC. DIF. PANEL ARIAN WHITE
WITHOUT SERIG.

APA818



ACC. PICTO. ARIAN PERSON +UP
ARROW

AGA230



ACC. PROTEC. GRILLE ARIAN