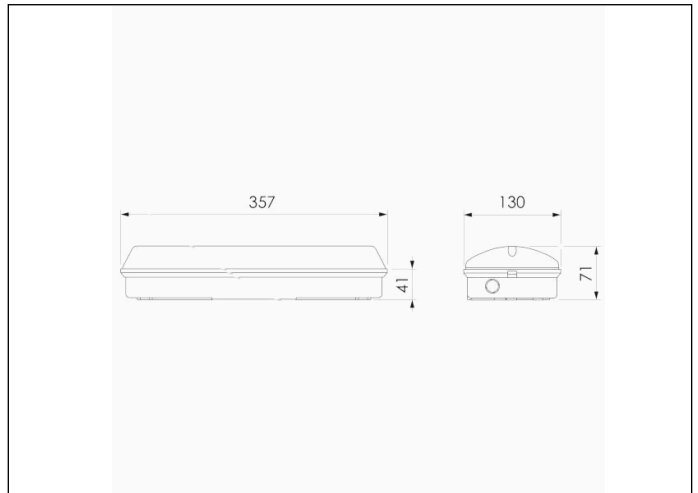


### Graphic reference



### Dimensions



**Control System:** DALI2

**Luminaire:** Self-Contained

**Standards:** EN-60598-1,  
EN-60598-2-22, EN-62034, EN  
61347-2-7, EN 61347-2-13, EN  
62386

**Certification:** CE, ENEC,  
DALI2



### Electrical characteristics

**Supply:** 230V 50Hz<3.8W

**Maintained mode consumption:** 3,8 W

**Non-maintained mode consumption:** 0,9 W

**Working temperature:** 0-40°C

**Emergency lamp:** 12 x LED 0.5W

**Emergency lumen output:** 390 lm

**Maintained lumen output:** 230 lm

**Battery:** 3.2V-1.5Ah LFP

**Class:** II

**Mode:** M/NM

**Power factor:** - %

**Signaling Luminaire:** -

**LED temperature:** 4000°K

**Duration:** 1 h

**Remote control:** Yes

**Charging time:** 12 h

### Mechanical characteristics

**Housing:** Polycarbonate

**Diffuser:** Matted Polycarbonate

**Suitable for flammable surfaces:** Yes

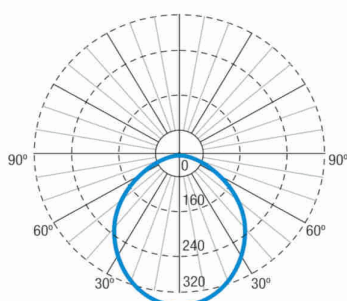
**ATEX Envelope:**

**IP/IK:** IP65/IK10

**Finish:** White RAL9003

**Weight:** 0,65KG

### Photometric curve



### Interdistance

**Installation height**



2,0 m                      9,99 m                      9,99 m

2,5 m                      11,03 m                      11,03 m

3,0 m                      11,92 m                      11,92 m

3,5 m                      12,68 m                      12,68 m

### Installation characteristics

Maintained luminaires use 3 terminals to enable / disable the maintained mode.  
Installation with mounting plate.  
Possibility of installation in:  
    Ceiling/Wall surface.  
Possibility of connection with:  
    Surface tube wiring.  
It has 3 pre-marked entries for PG-11 cable glands (not included), for mounting with surface pipe.

### Operating characteristics

Bus available for DALI2 communication.  
The luminaire has a status LED, which indicates:  
    Green LED: OK  
    Yellow LED flashing: Battery charging or battery connection failure.  
    LED off: Emergency operation failure or mains failure or defective LED or defective unit.

### General Envelope data

### Accessories

**BRC210**



ACC. FIXATION FLANGE ARIAN

**BRC045**



ACC. BRIDA FIJACION SUP. ARIAN

**AGA230**



ACC. PROTEC. GRILLE ARIAN

**ADBA008**



ACC. DIF. PANEL ARIAN WHITE  
WITHOUT SERIG.

**APV616**



ACC. PICTO. DIANA FLAT PERSON +  
LEFT ARROW

**APV617**



ACC. PICTO. DIANA FLAT PERSON +  
RIGHT ARROW

**APV618**



ACC. PICTO. DIANA FLAT PERSON  
+UP ARROW

**APV619**



ACC. PICTO. DIANA FLAT PERSON +  
DOWN ARROW