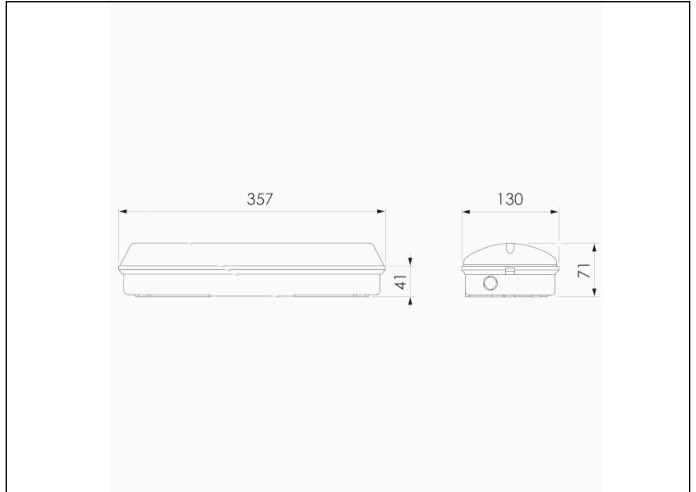


Graphic reference



Dimensions



Control System: DALI

Luminaire: Self-Contained

Standards: EN-60598-1,
EN-60598-2-22, EN 61347-2-7,
EN 61347-2-13, EN 62386

Certification: CE, ENEC,
CIVIL DEFENSE



Electrical characteristics

Supply: 230V 50Hz<7.5W

Maintained mode consumption: 7.5 W

Non-maintained mode consumption: 2 W

Working temperature: 0-40°C

Emergency lamp: 12 x LED 0.5W

Emergency lumen output: 600 lm

Maintained lumen output: 360 lm

Battery: 6.4V-3.0Ah LFP

Class: II

Mode: M/NM

Power factor: - %

Signaling Luminaire: -

LED temperature: 4000°K

Duration: 3 h

Remote control: No

Charging time: 12 h

Mechanical characteristics

Envelope: Polycarbonate

Diffuser: Matted Polycarbonate

Suitable for flammable surfaces: Yes

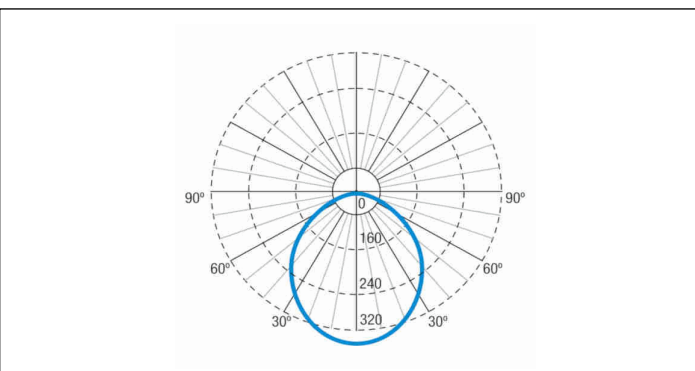
ATEX Envelope:

IP/IK: IP65/IK10

Finish: White RAL9003

Weight: 1,00KG

Photometric curve



Interdistance

Installation height



2,0 m	10,51 m	10,51 m
2,5 m	12,44 m	12,44 m
3,0 m	13,49 m	13,49 m
3,5 m	14,41 m	14,41 m

Installation characteristics

Maintained luminaires use 3 terminals to enable / disable the maintained mode.
Installation with mounting plate.
Possibility of installation in:
 Ceiling/Wall surface.
Possibility of connection with:
 Surface tube wiring.
It has 3 pre-marked entries for PG-11 cable glands (not included), for mounting with surface pipe.

Operating characteristics

Bus available for DALI communication.
The luminaire has a status LED, which indicates:
 Green LED: OK
 Yellow LED flashing: Battery charging or battery connection failure.
 LED off: Emergency operation failure or mains failure or defective LED or defective unit.

General Envelope data

Accessories

ADBA008



ACC. DIF. PANEL ARIAN WHITE
WITHOUT SERIG.

APA818



ACC. PICTO. ARIAN PERSON +UP
ARROW

AGA230



ACC. PROTEC. GRILLE ARIAN