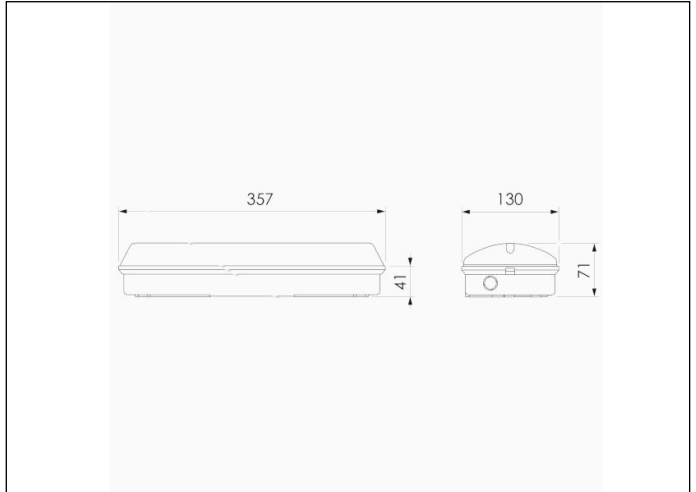


Graphic reference



Dimensions



Control System: AutoTest
Centralized Wireless

Luminaire: Self-Contained

Standards: EN-60598-1,
EN-60598-2-22, EN-62034

Certification: CE, ENEC



Electrical characteristics

Supply: 230V 50Hz<7.5W

Maintained mode consumption: 7,5 W

Non-maintained mode consumption: 2,0 W

Working temperature: 0-40°C

Emergency lamp: 12 x LED 1W

Emergency lumen output: 1000 lm

Maintained lumen output: 400 lm

Battery: 6.4V-3.0Ah LFP

Class: II

Mode: M/NM

Power factor: - %

Signaling Luminaire: -

LED temperature: 4000°K

Duration: 1 h

Remote control: No

Charging time: 12 h

Mechanical characteristics

Housing: Polycarbonate

Diffuser: Matted Polycarbonate

Suitable for flammable surfaces: Yes

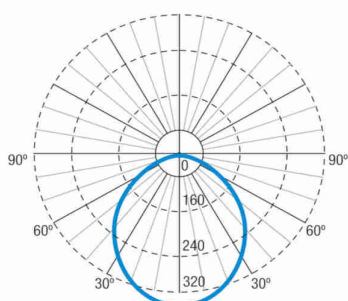
ATEX Envelope:

IP/IK: IP65/IK10

Finish: White RAL9003

Weight: 0,79KG

Photometric curve



Interdistance

Installation height



2,0 m	10,51 m	10,51 m
2,5 m	13,13 m	13,13 m
3,0 m	15,53 m	15,53 m
3,5 m	16,65 m	16,65 m

Installation characteristics

Maintained luminaires use 3 terminals to enable / disable the maintained mode.
Installation with mounting plate.
Possibility of installation in:
 Ceiling/Wall surface.
Possibility of connection with:
 Surface tube wiring.
It has 3 pre-marked entries for PG-11 cable glands (not included), for mounting with surface pipe.

Operating characteristics

The luminaire has status LEDs, which indicates:
 Status of the battery charging circuit.
 Battery status (duration)
 Emergency status function.
 Test status.
Microprocessor controlled luminaire
The luminaire can be connected to a control unit.
When the luminaire is installed without a control unit, it performs periodic and automatic tests.
 Functional test every 7 days.
 Duration test every 365 days.
The test result is shown in the status indicator LEDs.
Wireless communication that allows: Communication with Control unit by wireless communication with a 868Mhz frequency system.

General Envelope data

Accessories

BRC210



ACC. FIXATION FLANGE ARIAN

BRC045



ACC. BRIDA FIJACION SUP. ARIAN

AGA230



ACC. PROTEC. GRILLE ARIAN

ADBA008



ACC. DIF. PANEL ARIAN WHITE
WITHOUT SERIG.

APV616



ACC. PICTO. DIANA FLAT PERSON +
LEFT ARROW

APV617



ACC. PICTO. DIANA FLAT PERSON +
RIGHT ARROW

APV618



ACC. PICTO. DIANA FLAT PERSON +
UP ARROW

APV619



ACC. PICTO. DIANA FLAT PERSON +
DOWN ARROW