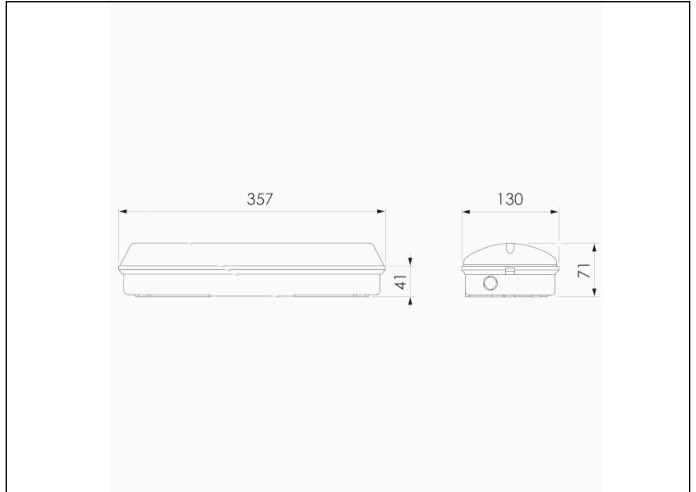


### Graphic reference



### Dimensions



**Control System:** AutoTest

**Luminaire:** Self-Contained

**Standards:** EN-60598-1,  
EN-60598-2-22, EN-62034

**Certification:** CE, ENEC



### Electrical characteristics

**Supply:** 230V 50Hz<7.5W

**Maintained mode consumption:** 7.5 W

**Non-maintained mode consumption:** 2.0 W

**Working temperature:** 0-40°C

**Emergency lamp:** 12 x LED 1W

**Emergency lumen output:** 1000 lm

**Maintained lumen output:** 400 lm

**Battery:** 6.4V-3.0Ah LFP

**Class:** II

**Mode:** M/NM

**Power factor:** - %

**Signaling Luminaire:** -

**LED temperature:** 4000°K

**Duration:** 1 h

**Remote control:** Yes

**Charging time:** 12 h

### Mechanical characteristics

**Envelope:** Polycarbonate

**Diffuser:** Matted Polycarbonate

**Suitable for flammable surfaces:** Yes

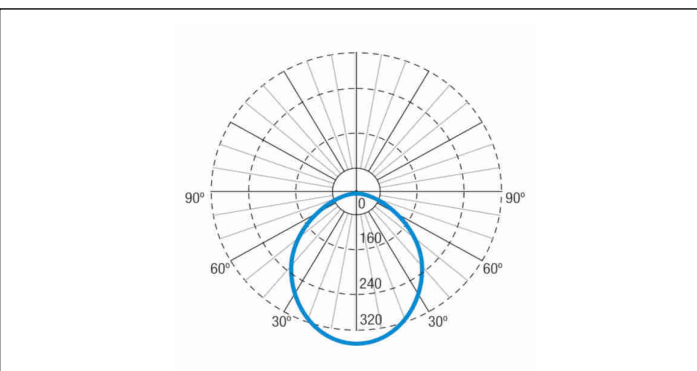
**ATEX Envelope:**

**IP/IK:** IP65/IK10

**Finish:** White RAL9003

**Weight:** 0,88KG

### Photometric curve



### Interdistance

**Installation height**



2,0 m	10,51 m	10,51 m
2,5 m	13,13 m	13,13 m
3,0 m	15,53 m	15,53 m
3,5 m	16,65 m	16,65 m

### Installation characteristics

Maintained luminaires use 3 terminals to enable / disable the maintained mode.  
Installation with mounting plate.  
Possibility of installation in:  
    Ceiling/Wall surface.  
Possibility of connection with:  
    Surface tube wiring.  
It has 3 pre-marked entries for PG-11 cable glands (not included), for mounting with surface pipe.

### Operating characteristics

The luminaire has status LEDs, which indicates:  
    Status of the battery charging circuit.  
    Battery status (duration)  
    Emergency status function.  
    Test status.

Microprocessor controlled luminaire that performs periodic and automatic tests.  
    Functional test every 7 days.  
    Duration test every 365 days.

The test result is shown in the status indicator LEDs.

Remote control input that allows:  
    Put on Standby without power supply.  
    Restart in emergency status without power supply.  
    Switch on in emergency status (more than 24 h of charge)  
    Manual and remote duration test. (more than 24 hours of charge).  
    Date and time programming of the tests.  
    Reset of the luminaire status.

### General Envelope data

### Accessories

**ADBA008**



ACC. DIF. PANEL ARIAN WHITE  
WITHOUT SERIG.

**APA818**



ACC. PICTO. ARIAN PERSON +UP  
ARROW

**AGA230**



ACC. PROTEC. GRILLE ARIAN