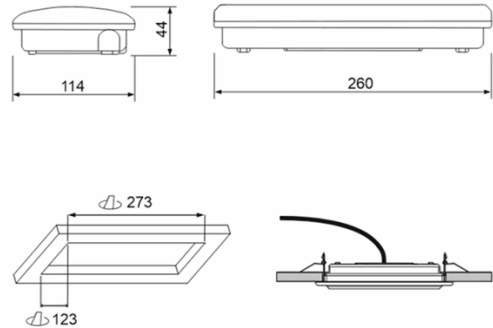


### Graphic reference



### Dimensions



**Control System:** Standard

**Luminaire:** Self-Contained

**Standards:** EN-60598-1,  
EN-60598-2-22

**Certification:** CE

### Electrical characteristics

**Supply:** 230V 50Hz<2.2W

**Maintained mode consumption:** - W

**Non-maintained mode consumption:** 2,2 W

**Working temperature:** 0-40°C

**Emergency lamp:** 12 x LED 0.5W

**Emergency lumen output:** 600 lm

**Maintained lumen output:** - lm

**Battery:** 6.0V-1.6Ah Ni-Cd

**Class:** II

**Mode:** NM

**Power factor:** - %

**Signaling Luminaire:** -

**LED temperature:** 4000°K

**Duration:** 1 h

**Remote control:** No

**Charging time:** 24 h

### Mechanical characteristics

**Housing:** Polycarbonate

**Diffuser:** Transfresnel Polycarbonate

**Suitable for flammable surfaces:** Yes

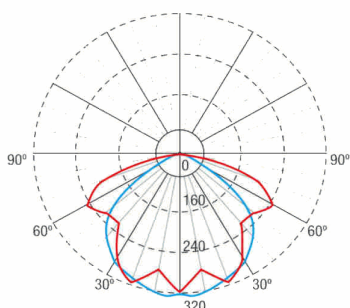
**ATEX Envelope:**

**IP/IK:** IP44/IK07

**Finish:** White RAL9003

**Weight:** 0,58KG

### Photometric curve



### Interdistance

**Installation height**



2,0 m                      12,75 m                      8,77 m

2,5 m                      14,97 m                      10,37 m

3,0 m                      16,40 m                      11,49 m

3,5 m                      17,40 m                      12,47 m

### Installation characteristics

Maintained luminaires have a selector bridge to enable / disable the maintained mode.

Installation with mounting plate.

Possibility of installation in:

- Ceiling/Wall surface.

- Recessed in ceiling.

- Semi-recessed in wall.

Possibility of connection with:

- Recessed wiring.

- Surface tube wiring (max. M20)

### Operating characteristics

The luminaire has a status LED, which indicates:

- Status of the battery charging circuit.

  - Green on = Battery charge OK.

  - Off = Wrong battery charge.

Remote control input that allows:

- Put on standby without power supply.

- Restart in emergency status without power supply.

- Emergency status test with power supply

### General Envelope data

### Accessories

**AMD0051**



ACC. REC. DIANA FLAT WHITE  
CEILING

**90091NMF**



ACC. PANEL REC. DIANA FLAT WHITE  
CEILING

**APE0065**



ACC. HOUSING IP66 DIANA FLAT  
WHITE

**APE144**



ACC. HOUSING IP44 DIANA FLAT  
WHITE

**AED0071**



ACC. SEMI-REC. DIANA FLAT WHITE  
WALL

**AMU8001**



ACC. FRAME REC. DIANA/XENA  
WHITE UNIVERSAL

**AIF001**



ACC. SLOPE 47° FLAT WHITE

**AKF001**



ACC. PROT. IK10 FLAT WHITE

**AGV120**



ACC. PROTEC. GRILLE FLAT/VENUS