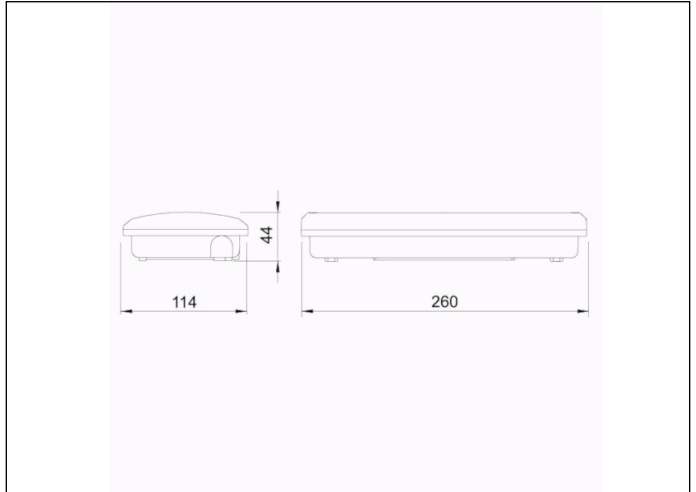


Graphic reference



Dimensions



Control System: AutoTest

Luminaire: Self-Contained

Standards: EN-60598-1,
EN-60598-2-22, EN-62034

Certification: CE, ENEC,
KITEMARK, CIVIL DEFENSE



Electrical characteristics

Supply: 230V 50Hz<3.7W

Maintained mode consumption: 3.7 W

Non-maintained mode consumption: 1.2 W

Working temperature: 0-40°C

Emergency lamp: 12 x LED 0.5W

Emergency lumen output: 300 lm

Maintained lumen output: 180 lm

Battery: 3.2V-3.0Ah LFP

Class: II

Mode: -

Power factor: - %

Signaling Luminaire: -

LED temperature: 4000°K

Duration: 3 h

Remote control: Yes

Charging time: 12 h

Mechanical characteristics

Envelope: Polycarbonate

Diffuser: Transfresnel Polycarbonate

Suitable for flammable surfaces: Yes

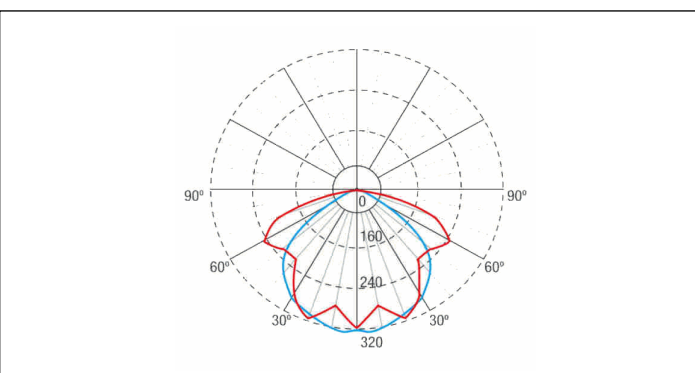
ATEX Envelope:

IP/IK: IP44/IK07

Finish: White RAL9003

Weight: 0,50KG

Photometric curve



Interdistance

Installation height



2,0 m 11,27 m 7,87 m

2,5 m 12,35 m 8,86 m

3,0 m 13,21 m 9,83 m

3,5 m 13,88 m 10,70 m

Installation characteristics

Maintained luminaires have a selector bridge to enable / disable the maintained mode.

Installation with mounting plate.

Possibility of installation in:

- Ceiling/Wall surface.
- Recessed in ceiling.
- Semi-recessed in wall.

Possibility of connection with:

- Recessed wiring.
- Surface tube wiring (max. M20)

Operating characteristics

The luminaire has status LEDs, which indicates:

- Status of the battery charging circuit.
- Battery status (duration)
- Emergency status function.
- Test status.

Microprocessor controlled luminaire that performs periodic and automatic tests.

- Functional test every 7 days.
- Duration test every 365 days.

The test result is shown in the status indicator LEDs.

Remote control input that allows:

- Put on Standby without power supply.
- Restart in emergency status without power supply.
- Switch on in emergency status (more than 24 h of charge)
- Manual and remote duration test. (more than 24 hours of charge).
- Date and time programming of the tests.
- Reset of the luminaire status.

General Envelope data

Accessories

AMD0051



ACC. REC. DIANA FLAT WHITE
CEILING

90091NMF



ACC. PANEL REC. DIANA FLAT WHITE
CEILING

APE0065



ACC. HOUSING IP66 DIANA FLAT
WHITE

APE144



ACC. HOUSING IP44 DIANA FLAT
WHITE

AED0071



ACC. SEMI-REC. DIANA FLAT WHITE
WALL

AMU8001



ACC. FRAME REC. DIANA/XENA
WHITE UNIVERSAL

AIF001



ACC. SLOPE 47° FLAT WHITE

AKF001



ACC. PROT. IK10 FLAT WHITE

AGV120



ACC. PROTEC. GRILLE FLAT/VENUS