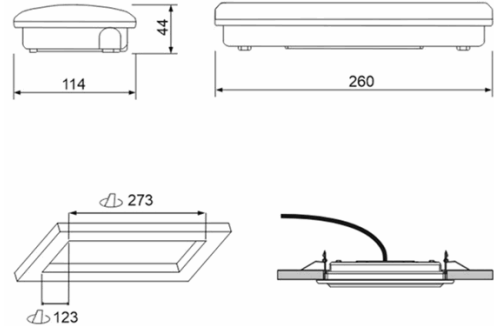


### Graphic reference



### Dimensions



**Control System:** SmartZ

**Luminaire:** Self-Contained

**Standards:** EN-60598-1,  
EN-60598-2-22, EN-62034,  
ETSI EN 303 446-1 V1.2.1

**Certification:** CE



### Electrical characteristics

**Supply:** 230V 50Hz<3.8W

**Maintained mode consumption:** 3,8 W

**Non-maintained mode consumption:** 0,9 W

**Working temperature:** 0-40°C

**Emergency lamp:** 12 x LED 0.5W

**Emergency lumen output:** 390 lm

**Maintained lumen output:** 235 lm

**Battery:** 3.2V-1.5Ah LFP

**Class:** II

**Mode:** -

**Power factor:** - %

**Signaling Luminaire:** -

**LED temperature:** 4000°K

**Duration:** 1 h

**Remote control:** No

**Charging time:** 12 h

### Mechanical characteristics

**Housing:** Polycarbonate

**Diffuser:** Transfresnel Polycarbonate

**Suitable for flammable surfaces:** Yes

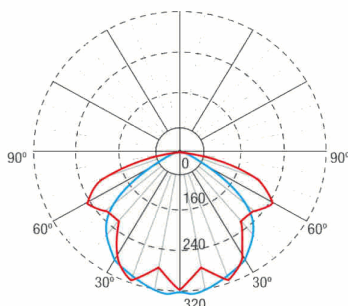
**ATEX Envelope:**

**IP/IK:** IP44/IK07

**Finish:** White RAL9003

**Weight:** 0,59KG

### Photometric curve



### Interdistance

**Installation height**



2,0 m                      12,02 m                      8,33 m

2,5 m                      13,39 m                      9,43 m

3,0 m                      14,36 m                      10,38 m

3,5 m                      15,19 m                      11,35 m

### Installation characteristics

Maintained luminaires have a selector bridge to enable / disable the maintained mode.

Installation with mounting plate.

Possibility of installation in:

- Ceiling/Wall surface.

- Recessed in ceiling.

- Semi-recessed in wall.

Possibility of connection with:

- Recessed wiring.

- Surface tube wiring (max. M20)

### Operating characteristics

The luminaire has status LEDs, which indicates:

- Status of the battery charging circuit.

- Battery status (duration)

- Emergency status function.

- Test status.

Microprocessor controlled luminaire

The luminaire can be connected to a control unit.

When the luminaire is installed without a control unit, it performs periodic and automatic tests.

- Functional test every 7 days.

- Duration test every 365 days.

The test result is shown in the status indicator LEDs.

Wireless communication that allows: Communication with Control unit by wireless communication with a 2.4Ghz frequency system.

### General Envelope data

### Accessories

**AMD0051**



ACC. REC. DIANA FLAT WHITE  
CEILING

**90091NMF**



ACC. PANEL REC. DIANA FLAT WHITE  
CEILING

**APE0065**



ACC. HOUSING IP66 DIANA FLAT  
WHITE

**APE144**



ACC. HOUSING IP44 DIANA FLAT  
WHITE

**AED0071**



ACC. SEMI-REC. DIANA FLAT WHITE  
WALL

**AMU8001**



ACC. FRAME REC. DIANA/XENA  
WHITE UNIVERSAL

**AIF001**



ACC. SLOPE 47° FLAT WHITE

**AKF001**



ACC. PROT. IK10 FLAT WHITE

**AGV120**



ACC. PROTEC. GRILLE FLAT/VENUS