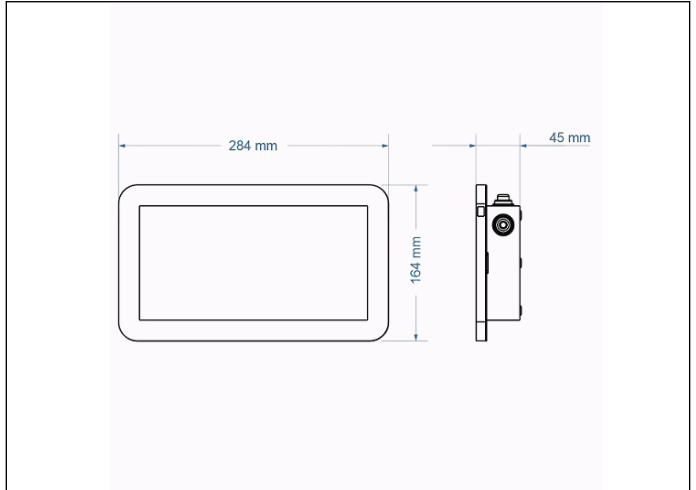


### Graphic reference



### Dimensions



**Control System:** DALI2

**Luminaire:** Self-Contained

**Standards:** EN-60598-1,  
EN-60598-2-22, EN-62034, EN  
61347-2-7, EN 61347-2-13, EN  
62386, EN ISO7010

**Certification:** CE, DALI2



### Electrical characteristics

**Supply:** 230V 50Hz<2.8W

**Maintained mode consumption:** 2.8 W

**Non-maintained mode consumption:** 0.9 W

**Working temperature:** 0-40°C

**Emergency lamp:** LEDS

**Emergency lumen output:** - lm

**Maintained lumen output:** - lm

**Battery:** 3.2V-1.5Ah LFP

**Class:** I

**Mode:** -

**Power factor:** - %

**Signaling Luminaire:** -

**LED temperature:** 6000°K

**Duration:** 1 h

**Remote control:** Yes

**Charging time:** 12 h

### Mechanical characteristics

**Envelope:** Sheet Iron

**Diffuser:** Methacrylate

**Suitable for flammable surfaces:** Yes

**ATEX Envelope:**

**IP/IK:** IP42/IK04

**Finish:** Grey RAL9006

**Weight:** 1,00KG

### Photometric curve



### Interdistance

**Installation height**



2,0 m

-

-

2,5 m

-

-

3,0 m

-

-

3,5 m

-

-

### Installation characteristics

Possibility of installation in:

Wall surface.

Possibility of connection with:

Surface tube wiring. Connection via Ø6mm hose or Ø16mm or Ø20mm tube (3 inputs).

Vision distance: 24 m

### Operating characteristics

Bus available for DALI2 communication.

The luminaire has a status LED, which indicates:

Green LED: OK

Yellow LED flashing: Battery charging or battery connection failure.

LED off: Emergency operation failure or mains failure or defective LED or defective unit.

### General Envelope data

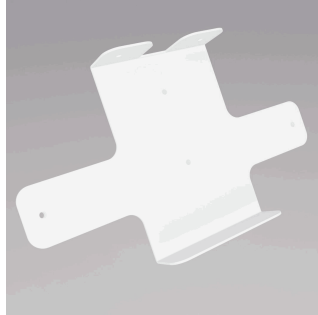
### Accessories

**APX001**



ACC. PANEL SURF. EXTYLE WHITE  
WALL

**ATX001**



ACC. PANEL SURF. EXTYLE WHITE  
CEILING