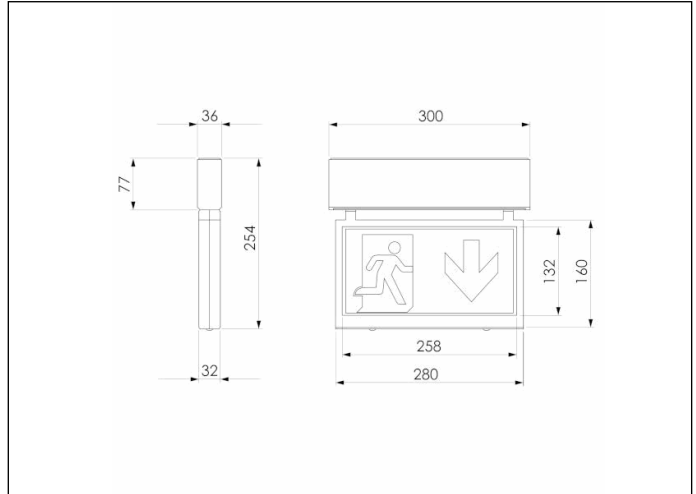


### Graphic reference



### Dimensions



**Control System:** SmartZ

**Luminaire:** Self-Contained

**Standards:** EN-60598-1,  
EN-60598-2-22, EN-62034,  
ETSI EN 303 446-1 V1.2.1

**Certification:** CE

### Electrical characteristics

**Supply:** 230V 50Hz<3.6W

**Maintained mode consumption:** 3,6 W

**Non-maintained mode consumption:** - W

**Working temperature:** 0-40°C

**Emergency lamp:** 8xLEDS 0.5W

**Emergency lumen output:** - lm

**Maintained lumen output:** - lm

**Battery:** 3.2V-1.5Ah LFP

**Class:** II

**Mode:** M

**Power factor:** - %

**Signaling Luminaire:** -

**LED temperature:** 4000°K

**Duration:** 3 h

**Remote control:** No

**Charging time:** 12 h

### Mechanical characteristics

**Housing:** Polycarbonate

**Diffuser:** Methacrylate

**Suitable for flammable surfaces:** Yes

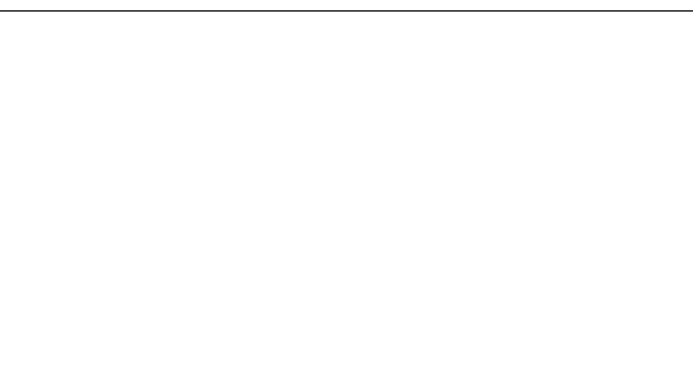
**ATEX Envelope:**

**IP/IK:** IP42/IK04

**Finish:** Grey RAL9006

**Weight:** 0,87KG

### Photometric curve



### Interdistance

**Installation height**

2,0 m

2,5 m

3,0 m

3,5 m



-

-

-

-

### Installation characteristics

Installation with mounting plate.

Possibility of installation in:

Ceiling surface.

Wall mural.

Wall flag.

Possibility of connection with:

Surface tube wiring.

Vision distance: 25,8 m

### Operating characteristics

The luminaire has status LEDs, which indicates:

Status of the battery charging circuit.

Battery status (duration)

Emergency status function.

Test status.

Microprocessor controlled luminaire

The luminaire can be connected to a control unit.

When the luminaire is installed without a control unit, it performs periodic and automatic tests.

Functional test every 7 days.

Duration test every 365 days.

The test result is shown in the status indicator LEDs.

Wireless communication that allows: Communication with Control unit by wireless communication with a 2.4Ghz frequency system.

### General Envelope data

### Accessories

#### AKS200



ACC. SUSPENSION KONS HARENA