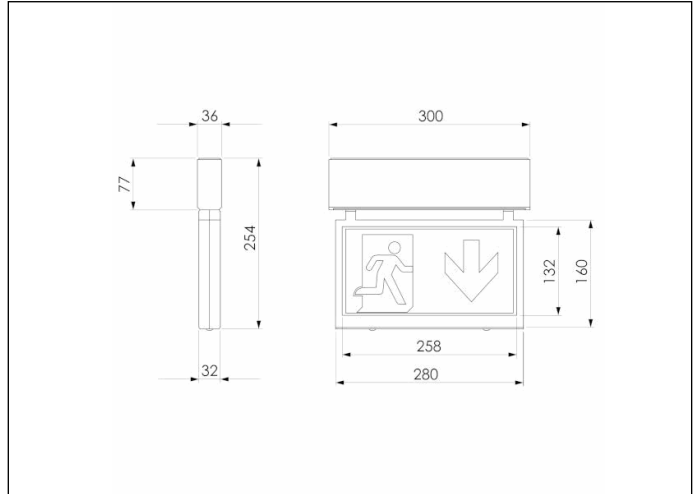


Graphic reference



Dimensions



Control System: AutoTest

Luminaire: Self-Contained

Standards: EN-60598-1,
EN-60598-2-22, EN-62034

Certification: CE

Electrical characteristics

Supply: 230V 50Hz<3.6W

Maintained mode consumption: 3,6 W

Non-maintained mode consumption: - W

Working temperature: 0-40°C

Emergency lamp: 8xLEDS 0.5W

Emergency lumen output: - lm

Maintained lumen output: - lm

Battery: 3.2V-1.5Ah LFP

Class: II

Mode: M

Power factor: - %

Signaling Luminaire: -

LED temperature: 4000°K

Duration: 3 h

Remote control: Yes

Charging time: 12 h

Mechanical characteristics

Housing: Polycarbonate

Diffuser: Methacrylate

Suitable for flammable surfaces: Yes

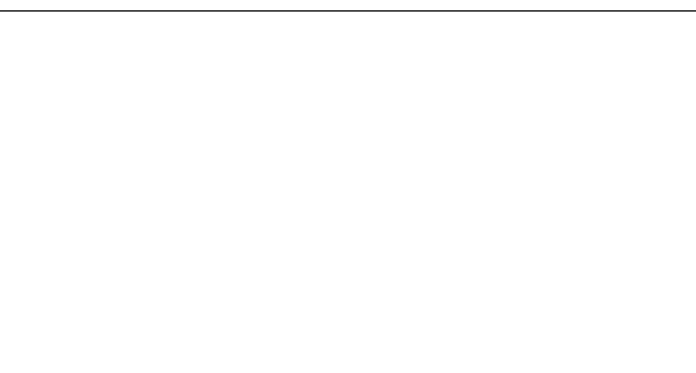
ATEX Envelope:

IP/IK: IP42/IK04

Finish: Grey RAL9006

Weight: 0,78KG

Photometric curve



Interdistance

Installation height



2,0 m

-

-

2,5 m

-

-

3,0 m

-

-

3,5 m

-

-

Installation characteristics

Installation with mounting plate.

Possibility of installation in:

Ceiling surface.

Wall mural.

Wall flag.

Possibility of connection with:

Surface tube wiring.

Vision distance: 25,8 m

Operating characteristics

The luminaire has status LEDs, which indicates:

Status of the battery charging circuit.

Battery status (duration)

Emergency status function.

Test status.

Microprocessor controlled luminaire that performs periodic and automatic tests.

Functional test every 7 days.

Duration test every 365 days.

The test result is shown in the status indicator LEDs.

Remote control input that allows:

Put on Standby without power supply.

Restart in emergency status without power supply.

Switch on in emergency status (more than 24 h of charge)

Manual and remote duration test. (more than 24 hours of charge).

Date and time programming of the tests.

Reset of the luminaire status.

General Envelope data

Accessories

AKS200



ACC. SUSPENSION KONS HARENA

APH022



ACC. PICTO. HARENA RED
EXTINGUISHER 2 UNITS

APH030



ACC. PICTO. HARENA RED
PUSH-BUTTON 2 UNITS

APH031



ACC. PICTO. HARENA RED FIRE HISE
2UNITS