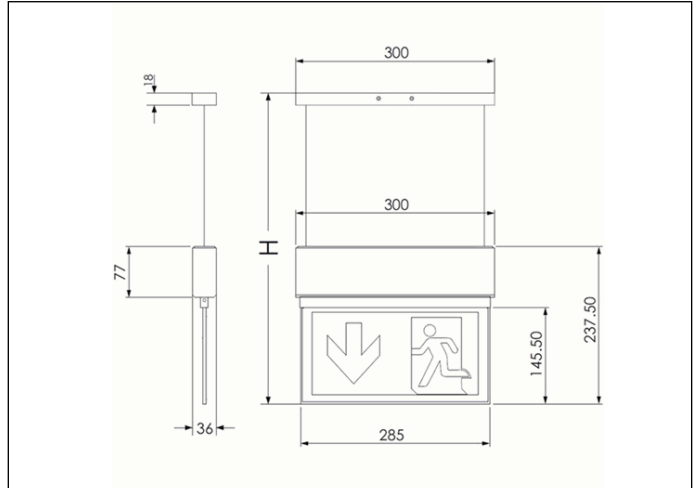


### Graphic reference



### Dimensions



**Control System:** AutoTest

**Luminaire:** Self-Contained

**Standards:** EN-60598-1,  
EN-60598-2-22, EN-62034

**Certification:** CE

### Electrical characteristics

**Supply:** 230V 50Hz<3.6W

**Maintained mode consumption:** 3.6 W

**Non-maintained mode consumption:** - W

**Working temperature:** 0-40°C

**Emergency lamp:** 8xLEDS 0.5W

**Emergency lumen output:** - lm

**Maintained lumen output:** - lm

**Battery:** 3.2V-1.5Ah LFP

**Class:** II

**Mode:** M

**Power factor:** - %

**Signaling Luminaire:** -

**LED temperature:** 4000°K

**Duration:** 3 h

**Remote control:** Yes

**Charging time:** 12 h

### Mechanical characteristics

**Envelope:** Polycarbonate

**Diffuser:** Methacrylate

**Suitable for flammable surfaces:** Yes

**ATEX Envelope:**

**IP/IK:** IP42/IK04

**Finish:** White RAL9003

**Weight:** 0,98KG

### Photometric curve



### Interdistance

**Installation height**



2,0 m

-

-

2,5 m

-

-

3,0 m

-

-

3,5 m

-

-

### Installation characteristics

Installation with mounting plate.

Possibility of installation in:

Suspended in ceiling by steel cables, with length regulation from 0 to 1 m.

Possibility of connection with:

Surface tube wiring.

Vision distance: 25,8 m

### Operating characteristics

The luminaire has status LEDs, which indicates:

Status of the battery charging circuit.

Battery status (duration)

Emergency status function.

Test status.

Microprocessor controlled luminaire that performs periodic and automatic tests.

Functional test every 7 days.

Duration test every 365 days.

The test result is shown in the status indicator LEDs.

Remote control input that allows:

Put on Standby without power supply.

Restart in emergency status without power supply.

Switch on in emergency status (more than 24 h of charge)

Manual and remote duration test. (more than 24 hours of charge).

Date and time programming of the tests.

Reset of the luminaire status.

### General Envelope data