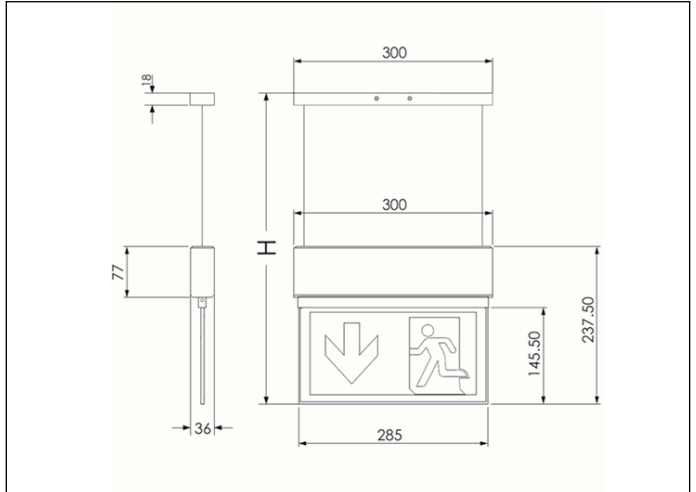


Graphic reference



Dimensions



Control System: DALI2

Luminaire: Self-Contained

Standards: EN-60598-1,
EN-60598-2-22, EN-62034, EN
61347-2-7, EN 61347-2-13, EN
62386

Certification: CE



Electrical characteristics

Supply: 230V 50Hz<3.6W

Maintained mode consumption: 3.6 W

Non-maintained mode consumption: - W

Working temperature: 0-40°C

Emergency lamp: 8xLEDS 0.5W

Emergency lumen output: - lm

Maintained lumen output: - lm

Battery: 3.2V-1.5Ah LFP

Class: II

Mode: M

Power factor: - %

Signaling Luminaire: -

LED temperature: 4000°K

Duration: 3 h

Remote control: Yes

Charging time: 12 h

Mechanical characteristics

Envelope: Polycarbonate

Diffuser: Methacrylate

Suitable for flammable surfaces: Yes

ATEX Envelope:

IP/IK: IP42/IK04

Finish: White RAL9003

Weight: 0,98KG

Photometric curve



Interdistance

Installation height

2,0 m

2,5 m

3,0 m

3,5 m



-

-

-

-

Installation characteristics

Installation with mounting plate.

Possibility of installation in:

Suspended in ceiling by steel cables, with length regulation from 0 to 1 m.

Possibility of connection with:

Surface tube wiring.

Vision distance: 25,8 m

Operating characteristics

Bus available for DALI2 communication.

The luminaire has a status LED, which indicates:

Green LED: OK

Yellow LED flashing: Battery charging or battery connection failure.

LED off: Emergency operation failure or mains failure or defective LED or defective unit.

General Envelope data