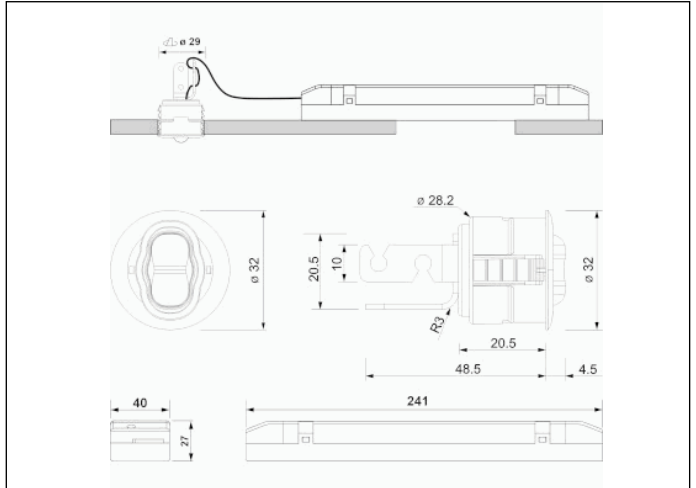


### Graphic reference



### Dimensions



Control System: DALI

Luminaire: Self-Contained

Standards: EN-60598-1,  
EN-60598-2-22, EN-62034,  
EN-61347-2-7, EN-61347-2-13,  
EN-62386

Certification: CE



### Electrical characteristics

Supply: 230V 50Hz<1.0W

Maintained mode consumption: - W

Non-maintained mode consumption: 1.0 W

Working temperature: 0-40°C

Emergency lamp: 1XLED 3W

Emergency lumen output: 165 lm

Maintained lumen output: - lm

Battery: 3.2V-1.8Ah LFP

Class: II

Mode: NM

Power factor: - %

Signaling Luminaire: -

LED temperature: 4000°K

Duration: 3 h

Remote control: Yes

Charging time: 12 h

### Mechanical characteristics

Envelope: Polycarbonate

Diffuser: Escape Lens

Suitable for flammable surfaces: Yes

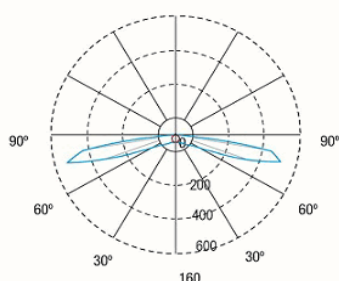
ATEX Envelope:

IP/IK: IP42/IK04

Finish: White RAL9003

Weight: 0,48KG

### Photometric curve



### Interdistance

Installation height



2,0 m 6,36 m 21,46 m

2,5 m 6,70 m 23,34 m

3,0 m 6,88 m 24,99 m

3,5 m 6,89 m 26,22 m

### Installation characteristics

Maintained luminaires use 3 mains supply inputs (L, L1, N) to enable / disable the maintained mode.

Luminaires made up of a spotlight + electrical equipment with batteries (Self-contained luminaires).

Possibility of installation in:

- On suspended ceiling.

- Recessed ceiling (Slat ceilings) with accessory (included).

- Continuous rail.

### Operating characteristics

Bus available for DALI communication.

The luminaire has a status LED, which indicates:

- Green LED: OK

- Yellow LED flashing: Battery charging or battery connection failure.

- LED off: Emergency operation failure or mains failure or defective LED or defective unit.

### General Envelope data