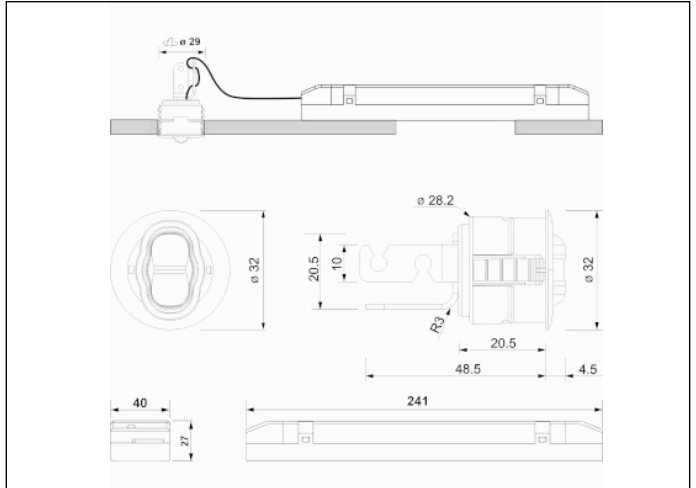


### Graphic reference



### Dimensions



**Control System:** AutoTest

**Luminaire:** Self-Contained

**Standards:** EN-60598-1,  
EN-60598-2-22, EN-62034

**Certification:** CE, CIVIL  
DEFENSE



### Electrical characteristics

**Supply:** 230V 50Hz<2.5W

**Maintained mode consumption:** 2.5 W

**Non-maintained mode consumption:** 0.9 W

**Working temperature:** 0-40°C

**Emergency lamp:** 1XLEDS 3W

**Emergency lumen output:** 165 lm

**Maintained lumen output:** 100 lm

**Battery:** 3.2V-1.8Ah LFP

**Class:** II

**Mode:** M/NM

**Power factor:** - %

**Signaling Luminaire:** -

**LED temperature:** 4000°K

**Duration:** 3 h

**Remote control:** Yes

**Charging time:** 12 h

### Mechanical characteristics

**Envelope:** Polycarbonate

**Diffuser:** Escape Lens

**Suitable for flammable surfaces:** Yes

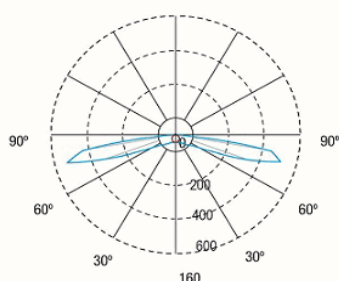
**ATEX Envelope:**

**IP/IK:** IP42/IK04

**Finish:** White RAL9003

**Weight:** 0,48KG

### Photometric curve



### Interdistance

**Installation height**

Installation height	Interdistance	Interdistance
2,0 m	6,36 m	21,46 m
2,5 m	6,70 m	23,34 m
3,0 m	6,88 m	24,99 m
3,5 m	6,89 m	26,22 m

### Installation characteristics

Maintained luminaires use 3 mains supply inputs (L, L1, N) to enable / disable the maintained mode.

Luminaires made up of a spotlight + electrical equipment with batteries (Self-contained luminaires).

Possibility of installation in:

- On suspended ceiling.
- Recessed ceiling (Slat ceilings) with accessory (included).
- Continuous rail.

### Operating characteristics

The luminaire has status LEDs, which indicates:

- Status of the battery charging circuit.
- Battery status (duration)
- Emergency status function.
- Test status.

Microprocessor controlled luminaire that performs periodic and automatic tests.

- Functional test every 7 days.
- Duration test every 365 days.

The test result is shown in the status indicator LEDs.

Remote control input that allows:

- Put on Standby without power supply.
- Restart in emergency status without power supply.
- Switch on in emergency status (more than 24 h of charge)
- Manual and remote duration test. (more than 24 hours of charge).
- Date and time programming of the tests.
- Reset of the luminaire status.

### General Envelope data