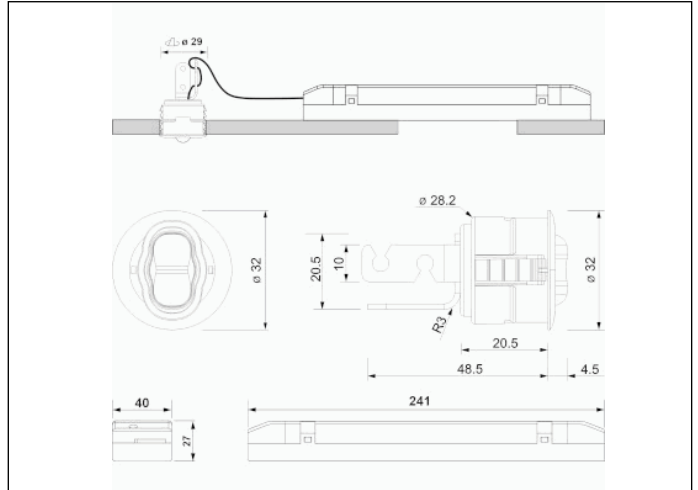


Graphic reference



Dimensions



Control System: AutoTest
Centralized Wireless

Luminaire: Self-Contained

Standards:

Certification: CE, ENEC



Electrical characteristics

Supply: 230V 50Hz<2.5W
Maintained mode consumption: 2.5 W
Non-maintained mode consumption: 0.9 W
Working temperature: 0-40°C
Emergency lamp: 1 x LED 3W
Emergency lumen output: 200 lm
Maintained lumen output: 120 lm
Battery: 3.2V-1.5Ah LFP

Class: II
Mode: M/NM
Power factor: - %
Signaling Luminaire: -
LED temperature: 4000°K
Duration: 2 h
Remote control: No
Charging time: 12 h

Mechanical characteristics

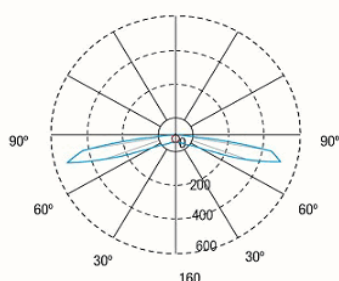
Envelope: Polycarbonate
Diffuser: Escape Lens
Suitable for flammable surfaces: Yes

IP/IK: IP42/IK04
Finish: White RAL9003

Weight: 0,49KG

ATEX Envelope:

Photometric curve



Interdistance

Installation height

Installation height	Interdistance	Interdistance
2,0 m	6,82 m	22,75 m
2,5 m	7,23 m	24,78 m
3,0 m	7,49 m	26,54 m
3,5 m	7,59 m	28,11 m

Installation characteristics

Maintained luminaires use 3 mains supply inputs (L, L1, N) to enable / disable the maintained mode.

Luminaires made up of a spotlight + electrical equipment with batteries (Self-contained luminaires).

Possibility of installation in:

- On suspended ceiling.

- Recessed ceiling (Slat ceilings) with accessory (included).

- Continuous rail.

Operating characteristics

The luminaire has status LEDs, which indicates:

- Status of the battery charging circuit.

- Battery status (duration)

- Emergency status function.

- Test status.

Microprocessor controlled luminaire

The luminaire can be connected to a control unit.

When the luminaire is installed without a control unit, it performs periodic and automatic tests.

- Functional test every 7 days.

- Duration test every 365 days.

The test result is shown in the status indicator LEDs.

Wireless communication that allows: Communication with Control unit by wireless communication with a 868Mhz frequency system.

General Envelope data