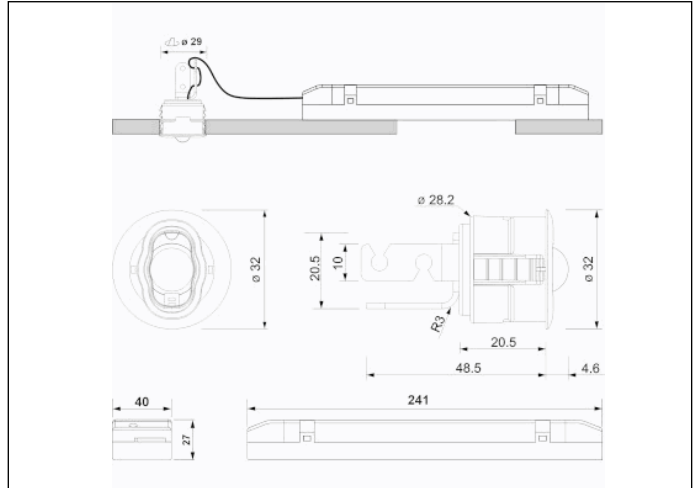


Graphic reference



Dimensions



Control System: AutoTest

Luminaire: Self-Contained

Standards: EN-60598-1,
EN-60598-2-22, EN-62034

Certification: CE

Electrical characteristics

Supply: 230V 50Hz<2.8W

Maintained mode consumption: 2.8 W

Non-maintained mode consumption: 0.9 W

Working temperature: 0-40°C

Emergency lamp: 1XLEDS 3W

Emergency lumen output: 250 lm

Maintained lumen output: 150 lm

Battery: 3.2V-1.5Ah LFP

Class: II

Mode: M/NM

Power factor: - %

Signaling Luminaire: -

LED temperature: 4000°K

Duration: 1 h

Remote control: Yes

Charging time: 12 h

Mechanical characteristics

Envelope: Polycarbonate

Diffuser: Antipanic Lens

Suitable for flammable surfaces: Yes

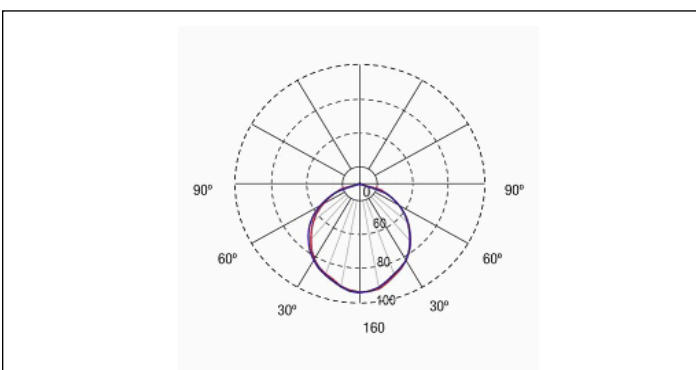
ATEX Envelope:

IP/IK: IP42/IK04

Finish: White RAL9003

Weight: 0,48KG

Photometric curve



Interdistance

Installation height

2,0 m

2,5 m

3,0 m

3,5 m



8,90 m

9,81 m

10,57 m

11,21 m

8,98 m

9,91 m

10,69 m

11,33 m

Installation characteristics

Maintained luminaires use 3 mains supply inputs (L, L1, N) to enable / disable the maintained mode.

Luminaires made up of a spotlight + electrical equipment with batteries (Self-contained luminaires).

Possibility of installation in:

- On suspended ceiling.
- Recessed ceiling (Slat ceilings) with accessory (included).
- Continuous rail.

Operating characteristics

The luminaire has status LEDs, which indicates:

- Status of the battery charging circuit.
- Battery status (duration)
- Emergency status function.
- Test status.

Microprocessor controlled luminaire that performs periodic and automatic tests.

- Functional test every 7 days.
- Duration test every 365 days.

The test result is shown in the status indicator LEDs.

Remote control input that allows:

- Put on Standby without power supply.
- Restart in emergency status without power supply.
- Switch on in emergency status (more than 24 h of charge)
- Manual and remote duration test. (more than 24 hours of charge).
- Date and time programming of the tests.
- Reset of the luminaire status.

General Envelope data