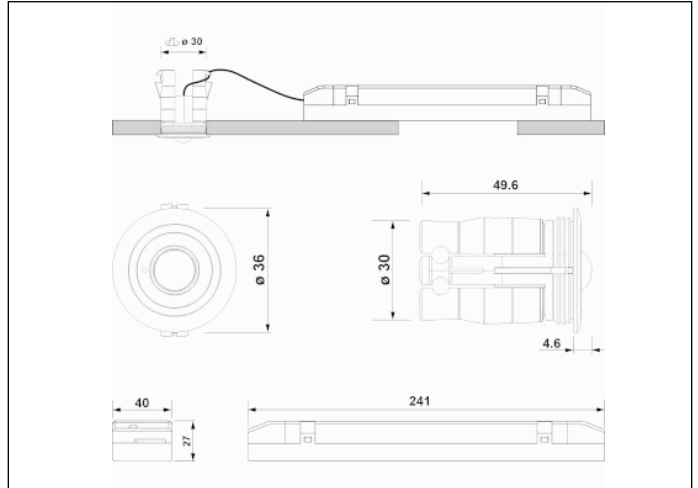


Graphic reference



Dimensions



Control System: DALI

Luminaire: Self-Contained

Standards: EN-60598-1,
EN-60598-2-22, EN 61347-2-7,
EN 61347-2-13, EN 62386

Certification: CE



Electrical characteristics

Supply: 230V 50Hz<1.0W

Maintained mode consumption: - W

Non-maintained mode consumption: 1,0 W

Working temperature: 0-40°C

Emergency lamp: 1XLEDS 3W

Emergency lumen output: 280 lm

Maintained lumen output: - lm

Battery: 3.2V-1.5Ah LFP

Class: II

Mode: NM

Power factor: - %

Signaling Luminaire: -

LED temperature: 4000°K

Duration: 1 h

Remote control: Yes

Charging time: 12 h

Mechanical characteristics

Housing: Polycarbonate

Diffuser: Antipanic Lens

Suitable for flammable surfaces: Yes

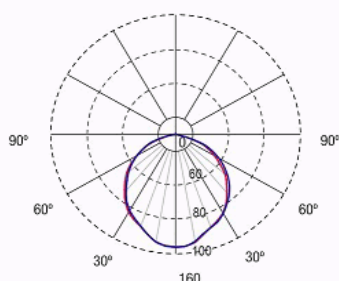
ATEX Envelope:

IP/IK: IP42/IK04

Finish: White RAL9003

Weight: 0,21KG

Photometric curve



Interdistance

Installation height



2,0 m 8,90 m 9,03 m

2,5 m 9,79 m 9,94 m

3,0 m 10,53 m 10,70 m

3,5 m 11,17 m 11,32 m

Installation characteristics

Maintained luminaires use 3 mains supply inputs (L, L1, N) to enable / disable the maintained mode.

Luminaires made up of a spotlight + electrical equipment with batteries (autonomous luminaires).

Possibility of installation in:

- On suspended ceiling.

- On continuous-luminaires.

Fixing by pressure.

Operating characteristics

Bus available for DALI communication.

The luminaire has a status LED, which indicates:

- Green LED: OK

- Yellow LED flashing: Battery charging or battery connection failure.

- LED off: Emergency operation failure or mains failure or defective LED or defective unit.

General Envelope data