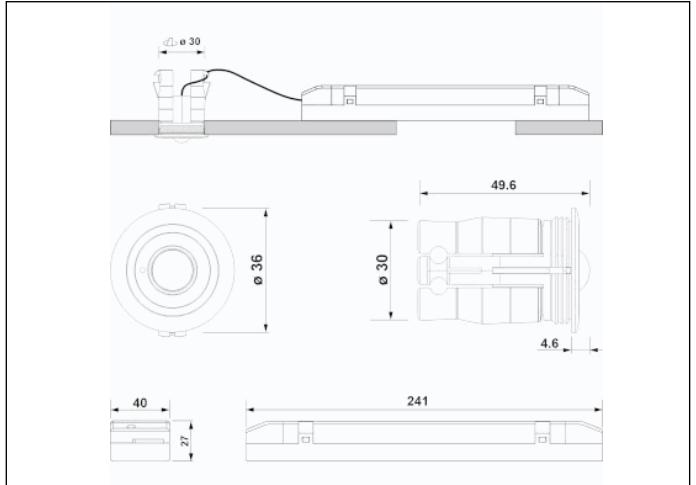


### Graphic reference



### Dimensions



**Control System:** SmartZ

**Luminaire:** Self-Contained

**Standards:** EN-60598-1,  
EN-60598-2-22, EN-62034,  
ETSI EN 303 446-1 V1.2.1

**Certification:** CE



### Electrical characteristics

**Supply:** 230V 50Hz<2.8W

**Maintained mode consumption:** 2,8 W

**Non-maintained mode consumption:** 0,9 W

**Working temperature:** 0-40°C

**Emergency lamp:** 1 x LED 3W

**Emergency lumen output:** 280 lm

**Maintained lumen output:** 170 lm

**Battery:** 3.2V-1.5Ah LFP

**Class:** II

**Mode:** M/NM

**Power factor:** - %

**Signaling Luminaire:** -

**LED temperature:** 4000°K

**Duration:** 1 h

**Remote control:** No

**Charging time:** 12 h

### Mechanical characteristics

**Housing:** Polycarbonate

**Diffuser:** Antipanic Lens

**Suitable for flammable surfaces:** Yes

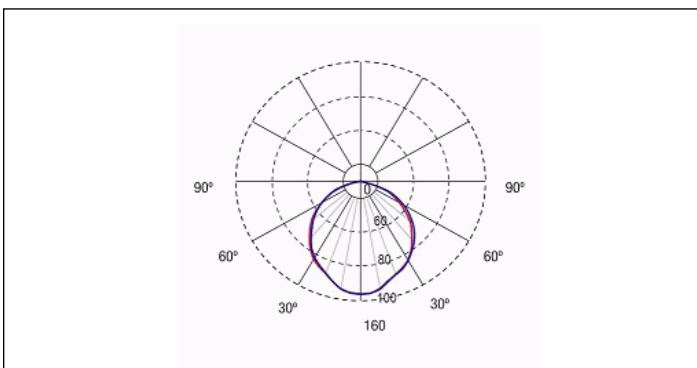
**ATEX Envelope:**

**IP/IK:** IP42/IK04

**Finish:** White RAL9003

**Weight:** 0,20KG

### Photometric curve



### Interdistance

**Installation height**

2,0 m

2,5 m

3,0 m

3,5 m



8,90 m

9,79 m

10,53 m

11,17 m

9,03 m

9,94 m

10,70 m

11,32 m

### Installation characteristics

Maintained luminaires use 3 mains supply inputs (L, L1, N) to enable / disable the maintained mode.

Luminaires made up of a spotlight + electrical equipment with batteries (autonomous luminaires).

Possibility of installation in:

- On suspended ceiling.

- On continuous-luminaires.

Fixing by pressure.

### Operating characteristics

The luminaire has status LEDs, which indicates:

- Status of the battery charging circuit.

- Battery status (duration)

- Emergency status function.

- Test status.

Microprocessor controlled luminaire

The luminaire can be connected to a control unit.

When the luminaire is installed without a control unit, it performs periodic and automatic tests.

- Functional test every 7 days.

- Duration test every 365 days.

The test result is shown in the status indicator LEDs.

Wireless communication that allows: Communication with Control unit by wireless communication with a 2.4Ghz frequency system.

### General Envelope data