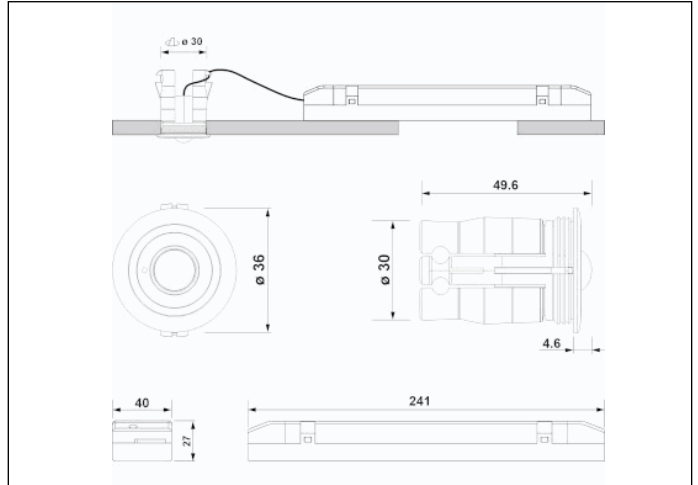


Graphic reference



Dimensions



Control System: AutoTest

Luminaire: Self-Contained

Standards: EN-60598-1,
EN-60598-2-22, EN-62034

Certification: CE, ENEC



Electrical characteristics

Supply: 230V 50Hz<1.0W

Maintained mode consumption: - W

Non-maintained mode consumption: 1.0 W

Working temperature: 0-40°C

Emergency lamp: 1XLEDs 3W

Emergency lumen output: 250 lm

Maintained lumen output: - lm

Battery: 3.2V-1.5Ah LFP

Class: II

Mode: NM

Power factor: - %

Signaling Luminaire: -

LED temperature: 4000°K

Duration: 1 h

Remote control: Yes

Charging time: 12 h

Mechanical characteristics

Envelope: Polycarbonate

Diffuser: Antipanic Lens

Suitable for flammable surfaces: Yes

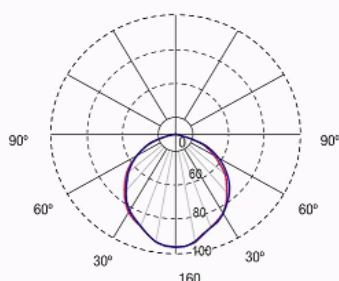
ATEX Envelope:

IP/IK: IP42/IK04

Finish: White RAL9003

Weight: 0,19KG

Photometric curve



Interdistance

Installation height



2,0 m 8,90 m 9,03 m

2,5 m 9,79 m 9,94 m

3,0 m 10,53 m 10,70 m

3,5 m 11,17 m 11,32 m

Installation characteristics

Maintained luminaires use 3 mains supply inputs (L, L1, N) to enable / disable the maintained mode.

Luminaires made up of a spotlight + electrical equipment with batteries (autonomous luminaires).

Possibility of installation in:

- On suspended ceiling.

- On continuous-luminaires.

Fixing by pressure.

Operating characteristics

The luminaire has status LEDs, which indicates:

- Status of the battery charging circuit.

- Battery status (duration)

- Emergency status function.

- Test status.

Microprocessor controlled luminaire that performs periodic and automatic tests.

- Functional test every 7 days.

- Duration test every 365 days.

The test result is shown in the status indicator LEDs.

Remote control input that allows:

- Put on Standby without power supply.

- Restart in emergency status without power supply.

- Switch on in emergency status (more than 24 h of charge)

- Manual and remote duration test. (more than 24 hours of charge).

- Date and time programming of the tests.

- Reset of the luminaire status.

General Envelope data