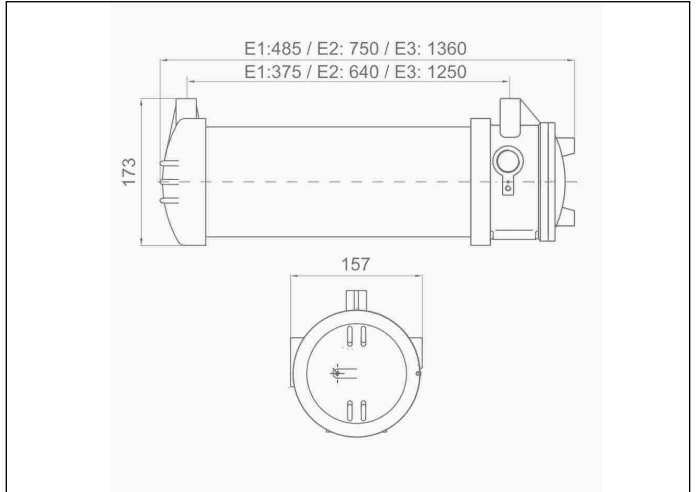


### Graphic reference



### Dimensions



**Control System:** -

**Luminaire:** Illumination

**Standards:** EN-60598-1, EN 60079-0, EN 60079-1, EN 60079-31

**Certification:** CE, IECEx INE 21.0022X, INERIS21ATEX0012X

### Electrical characteristics

**Supply:** 220-240V 50-60Hz<40W / 220-240Vdc<40W

**Maintained mode consumption:** 40,0 W

**Non-maintained mode consumption:** - W

**Working temperature:** -20°C<=Ta<=+50°C

**Emergency lamp:** 2 X LED 16W

**Emergency lumen output:** - lm

**Maintained lumen output:** 5100 lm

**Battery:** -

**Class:** I

**Mode:** -

**Power factor:** 0.95 %

**Signaling Luminaire:** 220-240Vac/dc<40W

**LED temperature:** 4000°K

**Duration:** - h

**Remote control:** No

**Charging time:** 0 h

### Mechanical characteristics

**Housing:** Aluminum

**Diffuser:** Transparent Polycarbonate

**Suitable for flammable surfaces:** Yes

**ATEX Protection:** Zona 1/Zona 21/Ex db IIC T6 Gb/Ex tb IIC T85°C Db

**ATEX Envelope:** E2

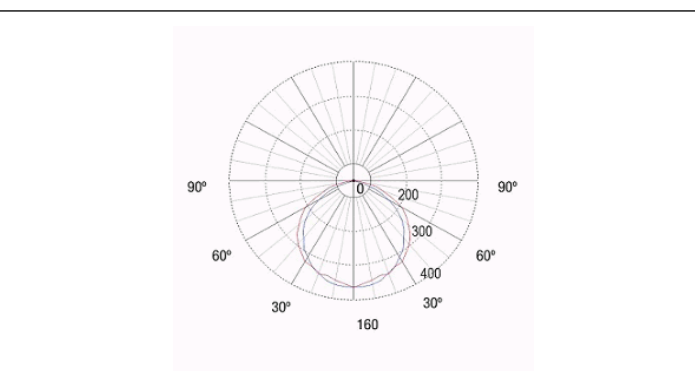
**IP/IK:** IP66/IK10

**Finish:** -

**ATEX:** Yes

**Weight:** 7,60KG

### Photometric curve



### Interdistance

Installation height	Diagram 1	Diagram 2
2,0 m	-	-
2,5 m	-	-
3,0 m	-	-
3,5 m	-	-

### Installation characteristics

Electrical connection by 5-pole + T connector for cable up to 2.5 mm<sup>2</sup>.

The maintained luminaires have the possibility of connection to enable / disable the maintained mode.

Possibility of installation in:

Ceiling/Wall surface with clamping flanges.

Suspended roof, with eyebolt.

Possibility of connection with:

Surface tube wiring.

Two 3/4" NPT entries for cable glands (not included), one of which is provided with a plug.

### Operating characteristics

Valid to be supply in the following ways:

Directly at rated voltage.

### General Envelope data

Tubular diffuser:

Borosilicate glass, E1 (7mm thick) E2/E3 (9mm thick)

Polycarbonate, UV protected. 3mm thick.

Casting & connections:

Aluminum injection

Manufactured from marine grade aluminum alloy copper free

Yellow RAL-1003 polyurethane paint

Explosion proof O-ring.

2 entries 3/4" NPT for cable glands (not included)

1 plug supplied

Electric connection through 5P+T 2,5 mm<sup>2</sup> terminal block

Suitable for installation on flammable surfaces

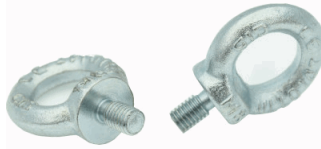
### Accessories

**BRD001**



ACC. FLANGE FOR SURF. SATURNO  
CEILING MOUNTING

**CAM001**



RING BOLT FOR PENDANT MOUNTING

**PSA001**



ACC. CABLE GLANDS SATURNO  
METALLIC