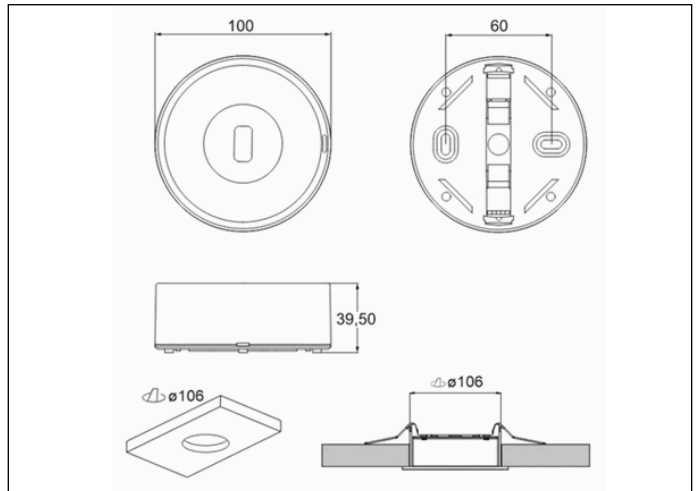


Graphic reference



Dimensions



Control System: AutoTest

Luminaire: Self-Contained

Standards: EN-60598-1,
EN-60598-2-22, EN-62034

Certification: CE, ENEC,
KITEMARK, CIVIL DEFENSE



Electrical characteristics

Supply: 230V 50Hz<2.5W

Maintained mode consumption: 2,5 W

Non-maintained mode consumption: 0,9 W

Working temperature: 0-40°C

Emergency lamp: 1 x LED 3W

Emergency lumen output: 165 lm

Maintained lumen output: 100 lm

Battery: 3.2V-1.8Ah LFP

Class: II

Mode: Non-maintained / Maintained via third terminal

Power factor: - %

Signaling Luminaire: -

LED temperature: 4000°K

Duration: 3 h

Remote control: No

Charging time: 12 h

Mechanical characteristics

Housing: Polycarbonate

Diffuser: Escape Lens

Suitable for flammable surfaces: Yes

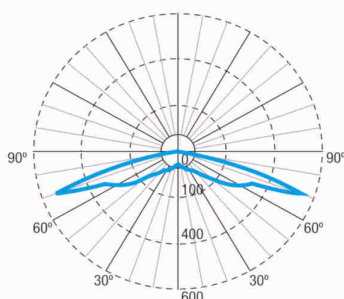
ATEX Envelope:

IP/IK: IP42/IK04

Finish: White RAL9003

Weight: 0,16KG

Photometric curve



Interdistance

Installation height



2,0 m	16,06 m	5,45 m
2,5 m	18,52 m	6,27 m
3,0 m	20,82 m	6,85 m
3,5 m	22,91 m	7,16 m

Installation characteristics

Non-maintained luminaires use 4 terminals (2xL + 2xN) for supply connection.
Maintained luminaires use 5 terminals (2xL + 2xN + L1) to enable / disable the maintained mode.
Installation with mounting plate.
Possibility of installation in:
 Ceiling surface.
 Recessed ceiling (with installation accessory)
Possibility of connection with:
 Recessed wiring.
 Surface tube wiring (max. M20)
Luminaire for corridor lighting.

Operating characteristics

The luminaire has status LEDs, which indicates:
 Status of the battery charging circuit.
 Battery status (duration)
 Emergency status function.
 Test status.
Microprocessor controlled luminaire that performs periodic and automatic tests.
 Functional test every 7 days.
 Duration test every 365 days.
The test result is shown in the status indicator LEDs.
The luminaire has a built-in button, which allows:
 Simulation test of supply failure.

General Envelope data

Accessories

ALQ0011



ACC. REC. SPAZIO LUZ WHITE

ALC0011



ACC. REC. SPAZIO LUZ WHITE

ALE0065



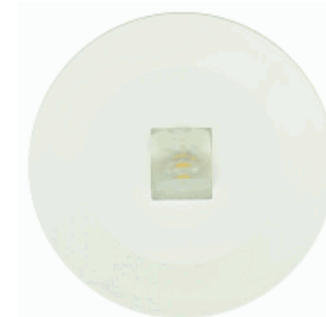
ACC. HOUSING IP65 SPAZIO LUZ
WHITE

ALT0011



ACC. INPUT FLEX. SPAZIO LUZ
WHITE - SURFACE TUBE 20MM
CONDUIT KIT

ALP0012



ACC. ASIMET. LENS SPAZIO PLUS
WHITE

ALK0001



ACC. TRACK SPAZIO LUZ/PLUS NM
IP20 WHITE SUITABLE
STANDARD-AUTOTEST NP