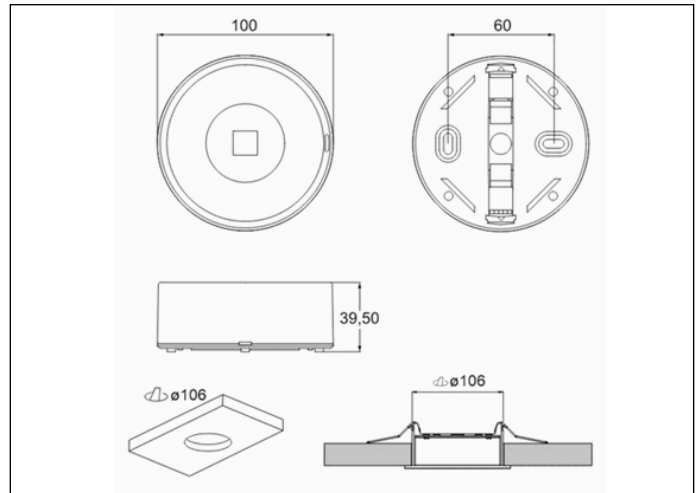


Graphic reference



Dimensions



Control System: AutoTest

Luminaire: Self-Contained

Standards: EN-60598-1,
EN-60598-2-22, EN-62034

Certification: CE, ENEC,
KITEMARK, CIVIL DEFENSE



Electrical characteristics

Supply: 230V 50Hz<2.5W
Maintained mode consumption: 2,5 W
Non-maintained mode consumption: 0,9 W
Working temperature: 0-40°C
Emergency lamp: 1 x LED 3W
Emergency lumen output: 165 lm
Maintained lumen output: 100 lm
Battery: 3.2V-1.8Ah LFP

Class: II
Mode: M/NM
Power factor: - %
Signaling Luminaire: -
LED temperature: 4000°K
Duration: 3 h
Remote control: No
Charging time: 12 h

Mechanical characteristics

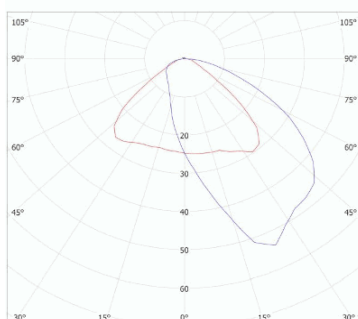
Housing: Polycarbonate
Diffuser: Hall Lens / Wall
Suitable for flammable surfaces: Yes

ATEX Envelope:

IP/IK: IP42/IK04
Finish: White RAL9003

Weight: 0,19KG

Photometric curve



Interdistance

Installation height



2,0 m	8,17 m	6,40 m
2,5 m	9,03 m	7,30 m
3,0 m	9,69 m	8,17 m
3,5 m	10,22 m	8,95 m

Installation characteristics

Non-maintained luminaires use 4 terminals (2xL + 2xN) for supply connection.
Maintained luminaires use 5 terminals (2xL + 2xN + L1) to enable / disable the maintained mode.
Installation with mounting plate.
Possibility of installation in:
 Wall surface.
Possibility of connection with:
 Recessed wiring.
 Surface tube wiring (max. M20)
Luminaire designed to be installed at high heights (>5m)

Operating characteristics

The luminaire has status LEDs, which indicates:
 Status of the battery charging circuit.
 Battery status (duration)
 Emergency status function.
 Test status.
Microprocessor controlled luminaire that performs periodic and automatic tests.
 Functional test every 7 days.
 Duration test every 365 days.
The test result is shown in the status indicator LEDs.
The luminaire has a built-in button, which allows:
 Simulation test of supply failure.

General Envelope data

Accessories

ALE0065



ACC. HOUSING IP65 SPAZIO LUZ
WHITE

ALT0011



ACC. INPUT FLEX. SPAZIO LUZ
WHITE SURFACE TUBE 20MM
CONDUIT KIT