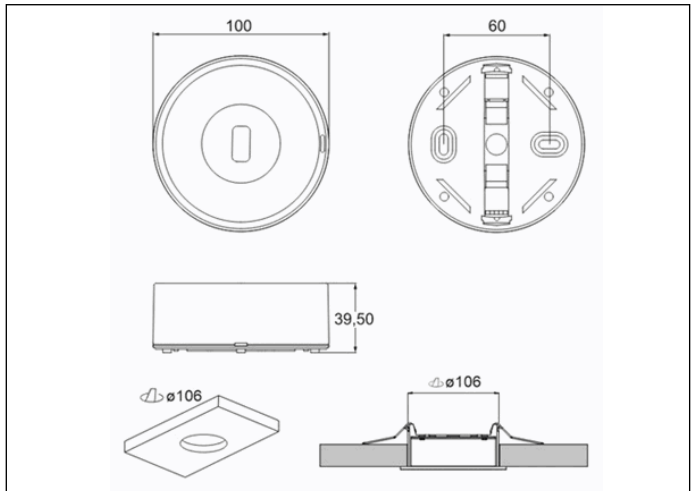


### Graphic reference



### Dimensions



**Control System:** DALI2

**Luminaire:** Self-Contained

**Standards:** EN-60598-1,  
EN-60598-2-22, EN-62034, EN  
61347-2-7, EN 61347-2-13, EN  
62386

**Certification:** CE, ENEC,  
DALI2



### Electrical characteristics

**Supply:** 230V 50Hz<2.8W

**Maintained mode consumption:** 2,8 W

**Non-maintained mode consumption:** 0,9 W

**Working temperature:** 0-40°C

**Emergency lamp:** 1 x LED 3W

**Emergency lumen output:** 250 lm

**Maintained lumen output:** 150 lm

**Battery:** 3.2V-1.5Ah LFP

**Class:** II

**Mode:** M/NM

**Power factor:** - %

**Signaling Luminaire:** -

**LED temperature:** 4000°K

**Duration:** 1 h

**Remote control:** Yes

**Charging time:** 12 h

### Mechanical characteristics

**Housing:** Polycarbonate

**Diffuser:** Escape Lens

**Suitable for flammable surfaces:** Yes

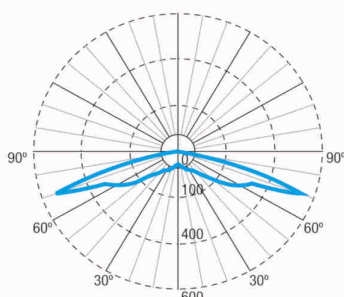
**ATEX Envelope:**

**IP/IK:** IP42/IK04

**Finish:** White RAL9003

**Weight:** 0,19KG

### Photometric curve



### Interdistance

**Installation height**



2,0 m                      17,22 m                      5,85 m

2,5 m                      19,97 m                      6,78 m

3,0 m                      22,43 m                      7,60 m

3,5 m                      24,77 m                      8,28 m

### Installation characteristics

Non-maintained luminaires use 4 terminals (2xL + 2xN) for supply connection.  
Maintained luminaires use 5 terminals (2xL + 2xN + L1) to enable / disable the maintained mode.  
Installation with mounting plate.  
Possibility of installation in:  
    Ceiling surface.  
    Recessed ceiling (with installation accessory)  
Possibility of connection with:  
    Recessed wiring.  
    Surface tube wiring (max. M20)  
Luminaire for corridor lighting.

### Operating characteristics

Bus available for DALI2 communication.  
The luminaire has a status LED, which indicates:  
    Green LED: OK  
    Yellow LED flashing: Battery charging or battery connection failure.  
    LED off: Emergency operation failure or mains failure or defective LED or defective unit.

### General Envelope data

### Accessories

**ALQ0011**



ACC. REC. SPAZIO LUZ WHITE  
CEILING SQUARE

**ALC0011**



ACC. REC. SPAZIO LUZ WHITE  
CEILING ROUND

**ALE0065**



ACC. HOUSING IP65 SPAZIO LUZ  
WHITE

**ALT0011**



ACC. INPUT FLEX. SPAZIO LUZ  
WHITE SURFACE TUBE 20MM  
CONDUIT KIT

**ALP0012**



ACC. ASIMET. LENS SPAZIO LUZ  
WHITE