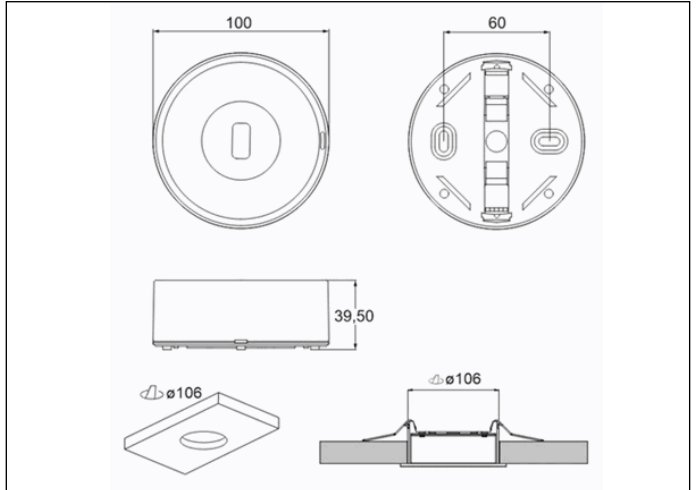


### Graphic reference



### Dimensions



**Control System:** AutoTest  
Centralized Wireless

**Luminaire:** Self-Contained

**Standards:** EN-60598-1,  
EN-60598-2-22, EN-62034

**Certification:** CE, ENEC



### Electrical characteristics

**Supply:** 230V 50Hz<2.8W  
**Maintained mode consumption:** 2.8 W  
**Non-maintained mode consumption:** 0.9 W  
**Working temperature:** 0-40°C  
**Emergency lamp:** 1 x LED 3W  
**Emergency lumen output:** 250 lm  
**Maintained lumen output:** 150 lm  
**Battery:** 3.2V-1.5Ah LFP

**Class:** II  
**Mode:** M/NM  
**Power factor:** - %  
**Signaling Luminaire:** -  
**LED temperature:** 4000°K  
**Duration:** 1 h  
**Remote control:** No  
**Charging time:** 12 h

### Mechanical characteristics

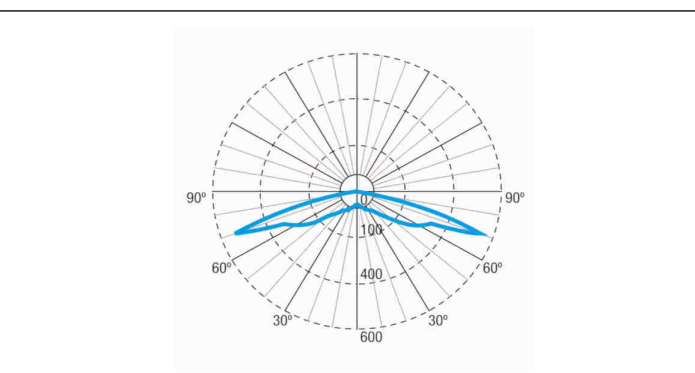
**Envelope:** Polycarbonate  
**Diffuser:** Escape Lens  
**Suitable for flammable surfaces:** Yes

**IP/IK:** IP42/IK04  
**Finish:** White RAL9003

**Weight:** 0,16KG

**ATEX Envelope:**

### Photometric curve



### Interdistance

**Installation height**

Installation height	Interdistance	Interdistance
2,0 m	17,22 m	5,85 m
2,5 m	19,97 m	6,78 m
3,0 m	22,43 m	7,60 m
3,5 m	24,77 m	8,28 m

### Installation characteristics

Non-maintained luminaires use 4 terminals (2xL + 2xN) for supply connection.  
Maintained luminaires use 5 terminals (2xL + 2xN + L1) to enable / disable the maintained mode.  
Installation with mounting plate.  
Possibility of installation in:  
    Ceiling surface.  
    Recessed ceiling (with installation accessory)  
Possibility of connection with:  
    Recessed wiring.  
    Surface tube wiring (max. M20)  
Luminaire for corridor lighting.

### Operating characteristics

The luminaire has status LEDs, which indicates:  
    Status of the battery charging circuit.  
    Battery status (duration)  
    Emergency status function.  
    Test status.  
Microprocessor controlled luminaire  
The luminaire can be connected to a control unit.  
When the luminaire is installed without a control unit, it performs periodic and automatic tests.  
    Functional test every 7 days.  
    Duration test every 365 days.  
The test result is shown in the status indicator LEDs.  
Wireless communication that allows: Communication with Control unit by wireless communication with a 868Mhz frequency system.

### General Envelope data

### Accessories

**ALQ0011**



ACC. REC. SPAZIO LUZ WHITE  
CEILING SQUARE

**ALC0011**



ACC. REC. SPAZIO LUZ WHITE  
CEILING ROUND

**ALE0065**



ACC. HOUSING IP65 SPAZIO LUZ  
WHITE

**ALT0011**



ACC. INPUT FLEX. SPAZIO LUZ  
WHITE SURFACE TUBE