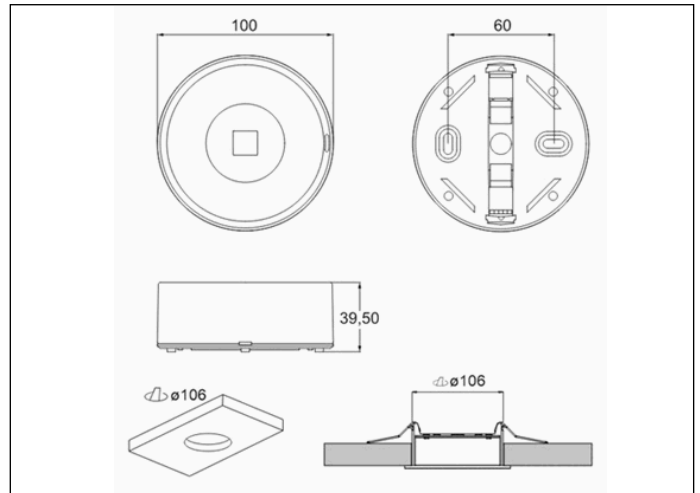


Graphic reference



Dimensions



Control System: DALI2

Luminaire: Self-Contained

Standards: EN-60598-1,
EN-60598-2-22, EN-62034, EN
61347-2-7, EN 61347-2-13, EN
62386

Certification: CE, DALI2



Electrical characteristics

Supply: 230V 50Hz<0.9W

Maintained mode consumption: - W

Non-maintained mode consumption: 0,9 W

Working temperature: 0-40°C

Emergency lamp: 1 x LED 3W

Emergency lumen output: 95 lm

Maintained lumen output: - lm

Battery: 3.2V-1.8Ah LFP

Class: II

Mode: NM

Power factor: - %

Signaling Luminaire: -

LED temperature: 4000°K

Duration: 3 h

Remote control: Yes

Charging time: 12 h

Mechanical characteristics

Housing: Polycarbonate

Diffuser: Hall Lens / Wall

Suitable for flammable surfaces: Yes

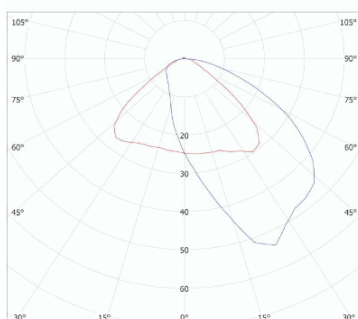
ATEX Envelope:

IP/IK: IP42/IK04

Finish: White RAL9003

Weight: 0,19KG

Photometric curve



Interdistance

Installation height



2,0 m

8,17 m

6,40 m

2,5 m

9,03 m

7,30 m

3,0 m

9,69 m

8,17 m

3,5 m

10,22 m

8,95 m

Installation characteristics

Non-maintained luminaires use 4 terminals (2xL + 2xN) for supply connection.
Maintained luminaires use 5 terminals (2xL + 2xN + L1) to enable / disable the maintained mode.
Installation with mounting plate.
Possibility of installation in:
 Wall surface.
Possibility of connection with:
 Recessed wiring.
 Surface tube wiring (max. M20)
Luminaire designed to be installed at high heights (>5m)

Operating characteristics

Bus available for DALI2 communication.
The luminaire has a status LED, which indicates:
 Green LED: OK
 Yellow LED flashing: Battery charging or battery connection failure.
 LED off: Emergency operation failure or mains failure or defective LED or defective unit.

General Envelope data

Accessories

ALE0065



ACC. HOUSING IP65 SPAZIO LUZ
WHITE

ALT0011



ACC. INPUT FLEX. SPAZIO LUZ
WHITE SURFACE TUBE 20MM
CONDUIT KIT