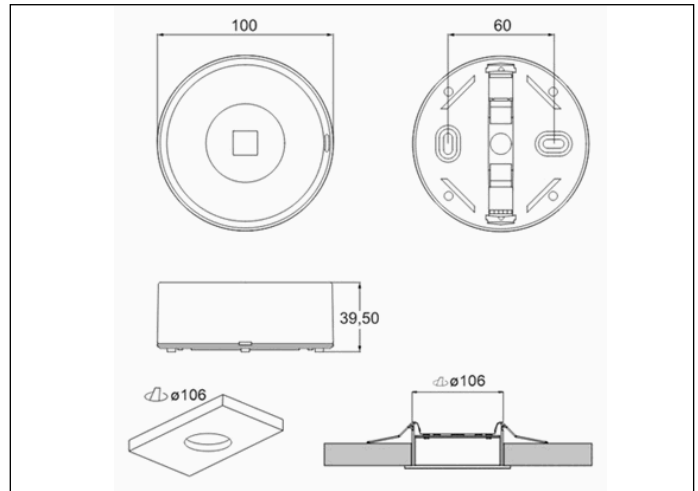


Graphic reference



Dimensions



Control System: SmartZ

Luminaire: Self-Contained

Standards: EN-60598-1,
EN-60598-2-22, EN-62034,
ETSI EN 303 446-1 V1.2.1

Certification: CE

Electrical characteristics

Supply: 230V 50Hz<0.9W

Maintained mode consumption: - W

Non-maintained mode consumption: 0,9 W

Working temperature: 0-40°C

Emergency lamp: 1 x LED 3W

Emergency lumen output: 250 lm

Maintained lumen output: - lm

Battery: 3.2V-1.5Ah LFP

Class: II

Mode: NM

Power factor: - %

Signaling Luminaire: -

LED temperature: 4000°K

Duration: 1 h

Remote control: No

Charging time: 12 h

Mechanical characteristics

Housing: Polycarbonate

Diffuser: Hall Lens / Wall

Suitable for flammable surfaces: Yes

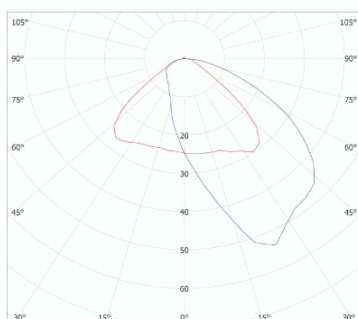
ATEX Envelope:

IP/IK: IP42/IK04

Finish: White RAL9003

Weight: 0,19KG

Photometric curve



Interdistance

Installation height



2,0 m	9,12 m	6,89 m
2,5 m	10,13 m	7,95 m
3,0 m	10,99 m	8,86 m
3,5 m	11,70 m	9,72 m

Installation characteristics

Non-maintained luminaires use 4 terminals (2xL + 2xN) for supply connection.
Maintained luminaires use 5 terminals (2xL + 2xN + L1) to enable / disable the maintained mode.
Installation with mounting plate.
Possibility of installation in:
 Wall surface.
Possibility of connection with:
 Recessed wiring.
 Surface tube wiring (max. M20)
Luminaire designed to be installed at high heights (>5m)

Operating characteristics

The luminaire has status LEDs, which indicates:
 Status of the battery charging circuit.
 Battery status (duration)
 Emergency status function.
 Test status.
Microprocessor controlled luminaire
The luminaire can be connected to a control unit.
When the luminaire is installed without a control unit, it performs periodic and automatic tests.
 Functional test every 7 days.
 Duration test every 365 days.
The test result is shown in the status indicator LEDs.
Wireless communication that allows: Communication with Control unit by wireless communication with a 2.4Ghz frequency system.

General Envelope data

Accessories

ALE0065



ACC. HOUSING IP65 SPAZIO LUZ
WHITE

ALT0011



ACC. INPUT FLEX. SPAZIO LUZ
WHITE SURFACE TUBE 20MM
CONDUIT KIT