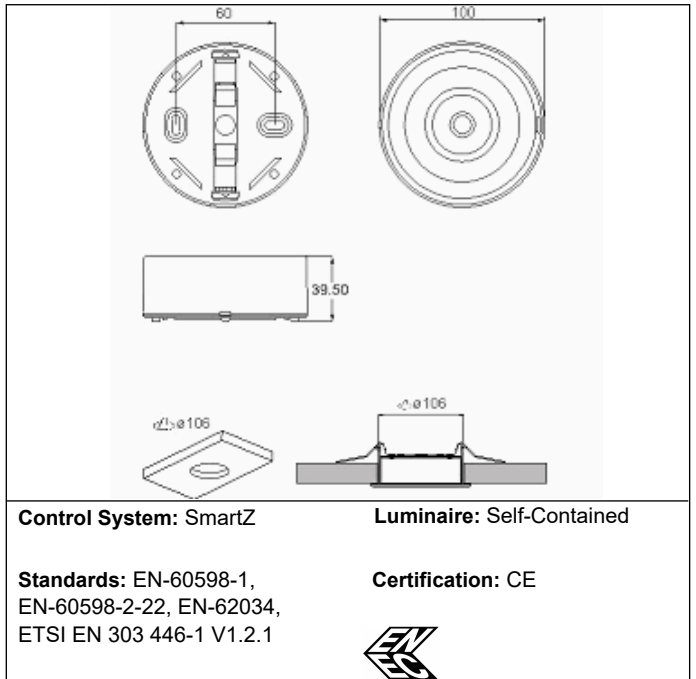


Graphic reference



Dimensions



Electrical characteristics

Supply: 230V 50Hz<2.8W
Maintained mode consumption: 2,8 W
Non-maintained mode consumption: 0,9 W
Working temperature: 0-40°C
Emergency lamp: 1 x LED 3W
Emergency lumen output: 250 lm
Maintained lumen output: 150 lm
Battery: 3.2V-1.5Ah LFP

Class: II
Mode: M/NM
Power factor: - %
Signaling Luminaire: -
LED temperature: 4000°K
Duration: 1 h
Remote control: No
Charging time: 12 h

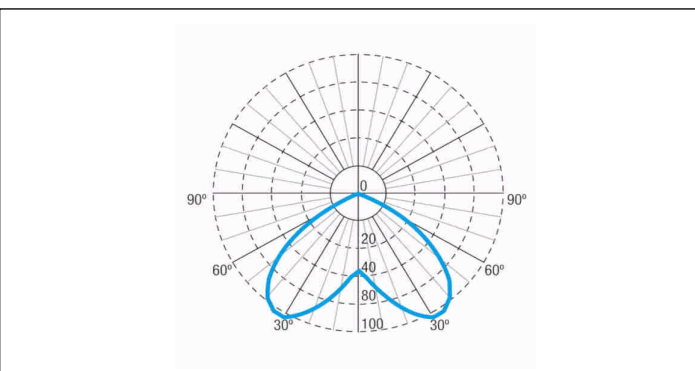
Mechanical characteristics

Housing: Polycarbonate
Diffuser: Circular Lens + Hall
Suitable for flammable surfaces: Yes

IP/IK: IP42/IK04
Finish: White RAL9003
Weight: 0,24KG

ATEX Envelope:

Photometric curve



Interdistance

Installation height	Interdistance	Interdistance
2,0 m	8,00 m	8,00 m
2,5 m	9,21 m	9,21 m
3,0 m	10,27 m	10,27 m
3,5 m	11,26 m	11,26 m

Installation characteristics

Non-maintained luminaires use 4 terminals (2xL + 2xN) for supply connection.
Maintained luminaires use 5 terminals (2xL + 2xN + L1) to enable / disable the maintained mode.
Installation with mounting plate.
Possibility of installation in:
 Ceiling/Wall surface.
 Recessed ceiling (with installation accessory)
Possibility of connection with:
 Recessed wiring.
 Surface tube wiring (max. M20)

Operating characteristics

The luminaire has status LEDs, which indicates:
 Status of the battery charging circuit.
 Battery status (duration)
 Emergency status function.
 Test status.
Microprocessor controlled luminaire
The luminaire can be connected to a control unit.
When the luminaire is installed without a control unit, it performs periodic and automatic tests.
 Functional test every 7 days.
 Duration test every 365 days.
The test result is shown in the status indicator LEDs.
Wireless communication that allows: Communication with Control unit by wireless communication with a 2.4Ghz frequency system.

General Envelope data

Accessories

ALQ0011



ACC. REC. SPAZIO LUZ WHITE
CEILING SQUARE

ALC0011



ACC. REC. SPAZIO LUZ WHITE
CEILING ROUND

ALE0065



ACC. HOUSING IP65 SPAZIO LUZ
WHITE

ALX0011



ACC. REC. PANEL SPAZIO LUZ WHITE
CEILING SQUARE

ALT0011



ACC. INPUT FLEX. SPAZIO LUZ
WHITE SURFACE TUBE 20MM
CONDUIT KIT

ALP0011



ACC. PANEL SURF. SPAZIO LUZ
WHITE WALL

ALS0011



ACC. PANEL SURF. SPAZIO LUZ
WHITE CEILING

ALB0011



ACC. PANEL REC. SPAZIO LUZ WHITE
CEILING ROUND

ALP0012



ACC. ASIMET. LENS SPAZIO LUZ
WHITE