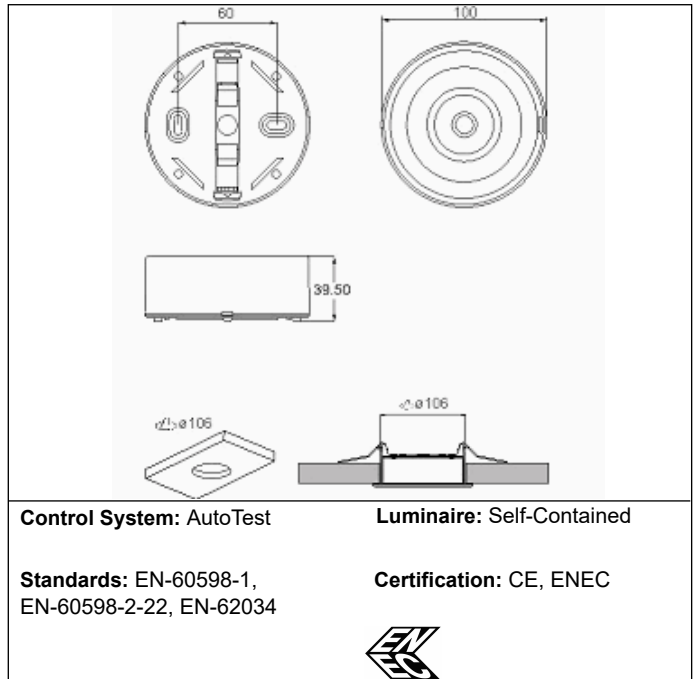


Graphic reference



Dimensions



Electrical characteristics

Supply: 230V 50Hz<2.8W
Maintained mode consumption: 2,8 W
Non-maintained mode consumption: 0,9 W
Working temperature: 0-40°C
Emergency lamp: 1 x LED 3W
Emergency lumen output: 250 lm
Maintained lumen output: 150 lm
Battery: 3.2V-1.5Ah LFP

Class: II
Mode: M/NM
Power factor: - %
Signaling Luminaire: -
LED temperature: 4000°K
Duration: 1 h
Remote control: Yes
Charging time: 12 h

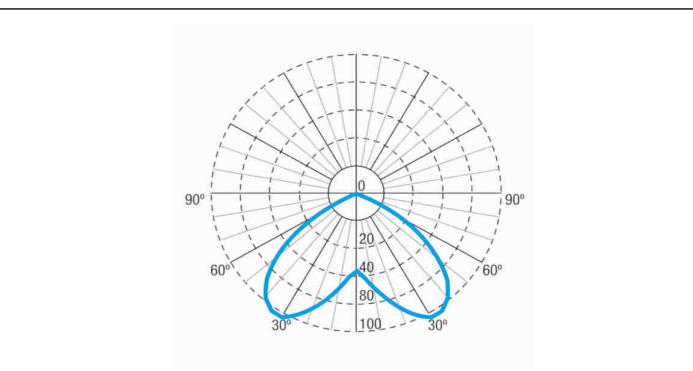
Mechanical characteristics

Housing: Polycarbonate
Diffuser: Circular Lens + Hall
Suitable for flammable surfaces: Yes

IP/IK: IP42/IK04
Finish: White RAL9003
Weight: 0,18KG

ATEX Envelope:

Photometric curve



Interdistance

Installation height	Interdistance	Interdistance
2,0 m	8,00 m	8,00 m
2,5 m	9,21 m	9,21 m
3,0 m	10,27 m	10,27 m
3,5 m	11,26 m	11,26 m

Installation characteristics

Non-maintained luminaires use 4 terminals (2xL + 2xN) for supply connection.
Maintained luminaires use 5 terminals (2xL + 2xN + L1) to enable / disable the maintained mode.
Installation with mounting plate.
Possibility of installation in:
 Ceiling/Wall surface.
 Recessed ceiling (with installation accessory)
Possibility of connection with:
 Recessed wiring.
 Surface tube wiring (max. M20)

Operating characteristics

Charge in 24 h to obtain the nominal duration of the luminaire.
The luminaire has status LEDs, which indicates:
 Status of the battery charging circuit.
 Battery status (duration)
 Emergency status function.
 Test status.
Microprocessor controlled luminaire that performs periodic and automatic tests.
 Functional test every 7 days.
 Duration test every 365 days.
The test result is shown in the status indicator LEDs.
The luminaire has a built-in button, which allows:
 Simulation test of supply failure.
Remote control input that allows:
 Standby without power supply.
 Resumed in emergency status without power supply.
 Switched on in emergency status (more than 24 h of charge)
 Manual and remote duration test. (more than 24 hours of charge).
 Date and time programming of the tests.

General Envelope data

Accessories

ALQ0011



ACC. REC. SPAZIO LUZ WHITE
CEILING SQUARE

ALC0011



ACC. REC. SPAZIO LUZ WHITE
CEILING ROUND

ALE0065



ACC. HOUSING IP65 SPAZIO LUZ
WHITE

ALX0011



ACC. REC. PANEL SPAZIO LUZ WHITE
CEILING SQUARE

ALT0011



ACC. INPUT FLEX. SPAZIO LUZ
WHITE SURFACE TUBE 20MM
CONDUIT KIT

ALP0011



ACC. PANEL SURF. SPAZIO LUZ
WHITE WALL

ALS0011



ACC. PANEL SURF. SPAZIO LUZ
WHITE CEILING

ALB0011



ACC. PANEL REC. SPAZIO LUZ WHITE
CEILING ROUND

ALP0012



ACC. ASIMET. LENS SPAZIO LUZ
WHITE