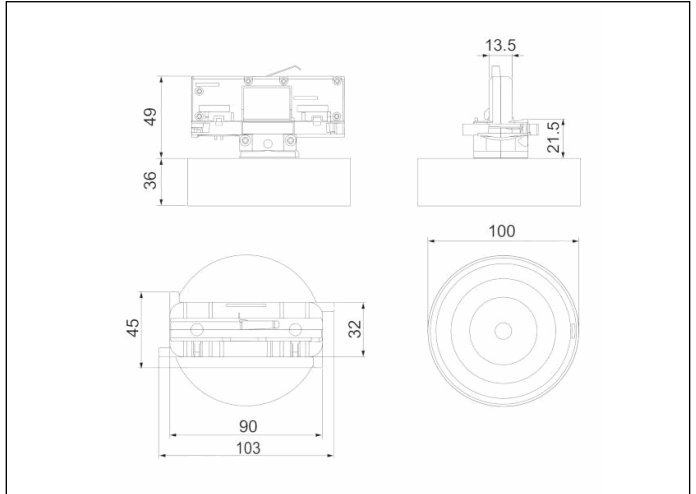


Graphic reference



Dimensions



Control System: AutoTest
Centralized Wireless
Standards: EN-60598-1,
EN-60598-2-22, EN-62034

Luminaire: Self-Contained
Certification: CE

Electrical characteristics

Supply: 230V 50Hz<2.5W
Maintained mode consumption: 2.5 W
Non-maintained mode consumption: 0.9 W
Working temperature: 0-40°C
Emergency lamp: 1 x LED 3W
Emergency lumen output: 165 lm
Maintained lumen output: 100 lm
Battery: 3.2V-1.8Ah LFP

Class: II
Mode: -
Power factor: - %
Signaling Luminaire: -
LED temperature: 4000°K
Duration: 3 h
Remote control: No
Charging time: 12 h

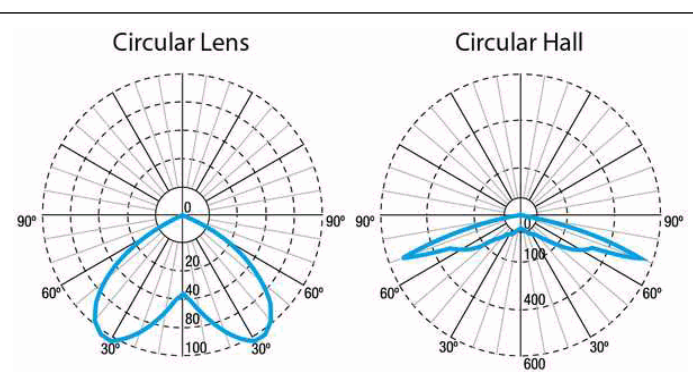
Mechanical characteristics

Envelope: Polycarbonate
Diffuser: Circular Lens + Hall
Suitable for flammable surfaces: Yes

ATEX Envelope:

IP/IK: IP20/IK04
Finish: White RAL9003
Weight: 0,16KG

Photometric curve



Interdistance

Installation height	Interdistance (Circular Lens)	Interdistance (Circular Hall)
2,0 m	7,41 m	7,41 m
2,5 m	8,47 m	8,47 m
3,0 m	9,43 m	9,43 m
3,5 m	10,25 m	10,25 m

Installation characteristics

Installation possibilities in:

Electrical rail.

Compatible with ONETRACK UL 3 circuits

Compatible with EUROSTANDARD tracks

Operating characteristics

The luminaire has status LEDs, which indicates:

Status of the battery charging circuit.

Battery status (duration)

Emergency status function.

Test status.

Microprocessor controlled luminaire

The luminaire can be connected to a control unit.

When the luminaire is installed without a control unit, it performs periodic and automatic tests.

Functional test every 7 days.

Duration test every 365 days.

The test result is shown in the status indicator LEDs.

Wireless communication that allows: Communication with Control unit by wireless communication with a 868Mhz frequency system.

General Envelope data