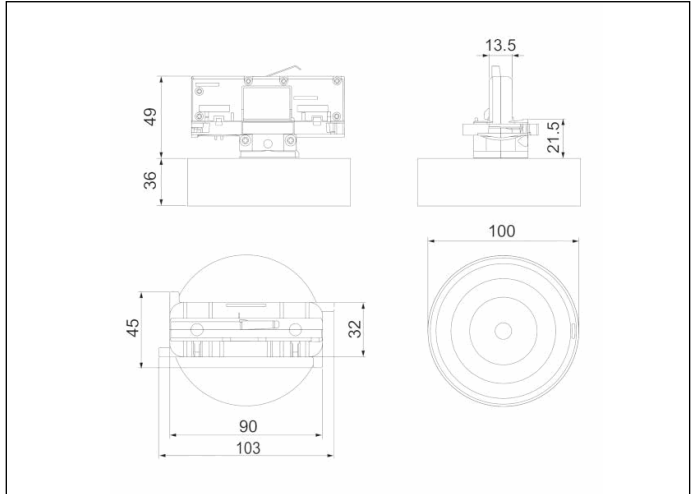


### Graphic reference



### Dimensions



**Control System:** SmartZ

**Luminaire:** Self-Contained

**Standards:** EN-60598-1,  
EN-60598-2-22, EN-62034,  
ETSI EN 303 446-1 V1.2.1

**Certification:** CE

### Electrical characteristics

**Supply:** 230V 50Hz<2.5W

**Maintained mode consumption:** 2,5 W

**Non-maintained mode consumption:** 0,9 W

**Working temperature:** 0-40°C

**Emergency lamp:** 1 x LED 3W

**Emergency lumen output:** 165 lm

**Maintained lumen output:** 100 lm

**Battery:** 3.2V-1.8Ah LFP

**Class:** II

**Mode:** -

**Power factor:** - %

**Signaling Luminaire:** -

**LED temperature:** 4000°K

**Duration:** 3 h

**Remote control:** No

**Charging time:** 12 h

### Mechanical characteristics

**Housing:** Polycarbonate

**Diffuser:** Circular Lens + Hall

**Suitable for flammable surfaces:** Yes

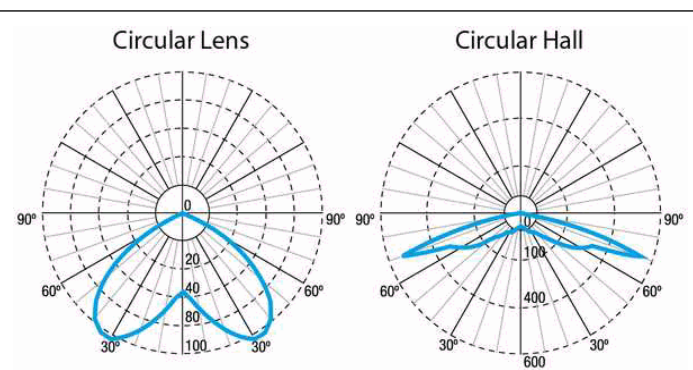
**ATEX Envelope:**

**IP/IK:** IP20/IK04

**Finish:** White RAL9003

**Weight:** 0,19KG

### Photometric curve



### Interdistance

**Installation height**



2,0 m	7,41 m	7,41 m
2,5 m	8,47 m	8,47 m
3,0 m	9,43 m	9,43 m
3,5 m	10,25 m	10,25 m

### Installation characteristics

Installation possibilities in:

Electrical rail.

Compatible with ONETRACK UL 3 circuits

Compatible with EUROSTANDARD tracks

### Operating characteristics

The luminaire has status LEDs, which indicates:

Status of the battery charging circuit.

Battery status (duration)

Emergency status function.

Test status.

Microprocessor controlled luminaire

The luminaire can be connected to a control unit.

When the luminaire is installed without a control unit, it performs periodic and automatic tests.

Functional test every 7 days.

Duration test every 365 days.

The test result is shown in the status indicator LEDs.

Wireless communication that allows: Communication with Control unit by wireless communication with a 2.4Ghz frequency system.

### General Envelope data