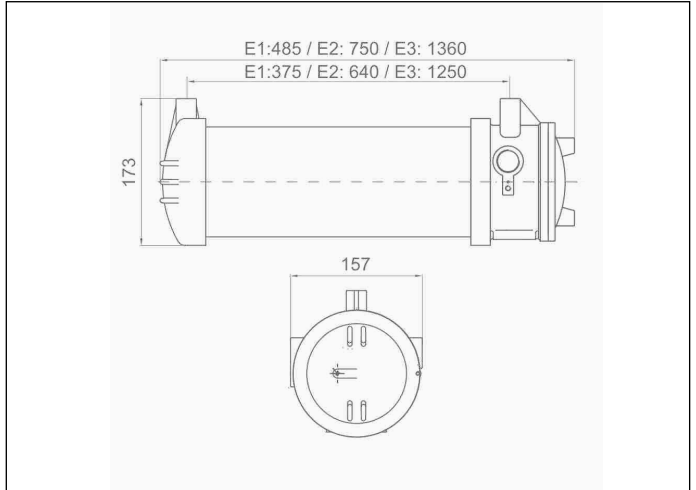


### Graphic reference



### Dimensions



**Control System:** SATI AutoTest      **Luminaire:** Self-Contained

**Standards:** EN-60598-1,  
EN-60598-2-22, EN-62034, EN  
60079-0, EN 60079-1, EN  
60079-31, NFC 71-800, NFC  
71-820

**Certification:** CE, BAES  
SATI NF V+, IECEx INE  
17,0021X

### Electrical characteristics

**Supply:** 230V 50Hz<1.0W  
**Maintained mode consumption:** - W  
**Non-maintained mode consumption:** 1,0 W  
**Working temperature:** 0-50°C  
**Emergency lamp:** 4 x LED 0.5W  
**Emergency lumen output:** 45 lm  
**Maintained lumen output:** - lm  
**Battery:** 3.2V-0.5Ah LFP

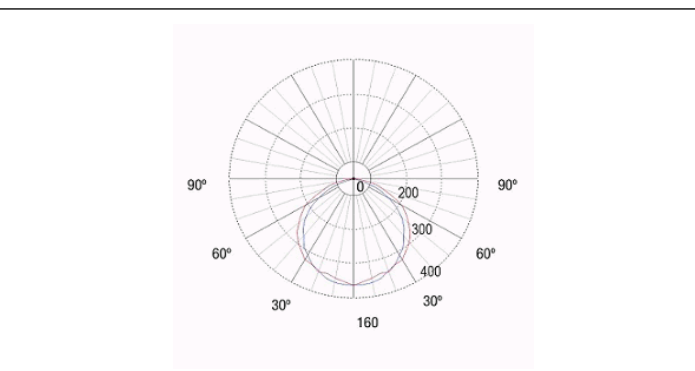
**Class:** I  
**Mode:** NM  
**Power factor:** - %  
**Signaling Luminaire:** 2xleds blancos  
**LED temperature:** 4000°K  
**Duration:** 1 h  
**Remote control:** Yes  
**Charging time:** 12 h

### Mechanical characteristics

**Housing:** Aluminum  
**Diffuser:** Transparent Polycarbonate  
**Suitable for flammable surfaces:** Yes  
**ATEX Protection:** Zona 1/Zona 21/Ex db IIC T6 Gb/Ex tb IIIC  
T85°C Db  
**ATEX Envelope:** E1

**IP/IK:** IP66/IK10  
**Finish:** Transparent  
**ATEX:** Yes  
**Weight:** 4,42KG

### Photometric curve



### Interdistance

Installation height	Diagram 1	Diagram 2
2,0 m	-	-
2,5 m	-	-
3,0 m	-	-
3,5 m	-	-

### Installation characteristics

Electrical connection by 5-pole + T connector for cable up to 2.5 mm<sup>2</sup>.  
The maintained luminaires have the possibility of connection to enable / disable the maintained mode.  
Possibility of installation in:  
    Ceiling/Wall surface with clamping flanges.  
    Suspended roof, with eyebolt.  
Possibility of connection with:  
    Surface tube wiring.  
Two 3/4" NPT entries for cable glands (not included), one of which is provided with a plug.

### Operating characteristics

The luminaire has status LEDs, which indicates:  
    Status of the battery charging circuit.  
    Battery status (duration)  
    Emergency status function.  
    Test status.  
Microprocessor controlled luminaire that performs periodic and automatic tests.  
    Functional test every 7 days.  
    Duration test every 365 days.  
The test result is shown in the status indicator LEDs.  
Remote control input which allows:  
    Put on Standby without power supply.  
    Restart in emergency status without power supply.  
    Switch on in emergency status (more than 24 h of charge)  
    Manual and remote duration test. (more than 24 hours of charge).  
    Date and time programming of the tests.  
    Reset of the luminaire status.  
    Remote error status communication (with TMU-100X + remote control).

### General Envelope data

Tubular diffuser:  
    Borosilicate glass, E1 (7mm thick) E2/E3 (9mm thick)  
    Polycarbonate, UV protected. 3mm thick.  
Casting & connections:  
    Aluminum injection  
    Manufactured from marine grade aluminum alloy copper free  
    Yellow RAL-1003 polyurethane paint  
    Explosion proof O-ring.  
    2 entries 3/4" NPT for cable glands (not included)  
    1 plug supplied  
    Electric connection through 5P+T 2,5 mm<sup>2</sup> terminal block  
    Suitable for installation on flammable surfaces

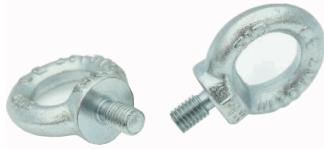
### Accessories

**BRD001**



ACC. FLANGE FOR SURF. SATURNO  
CEILING MOUNTING

**CAM001**



RING BOLT FOR PENDANT MOUNTING

**PSA001**



ACC. CABLE GLANDS SATURNO  
METALLIC

**APS600**



ACC. PICTO. SATURNO  
PERSON+LEFT ARROW