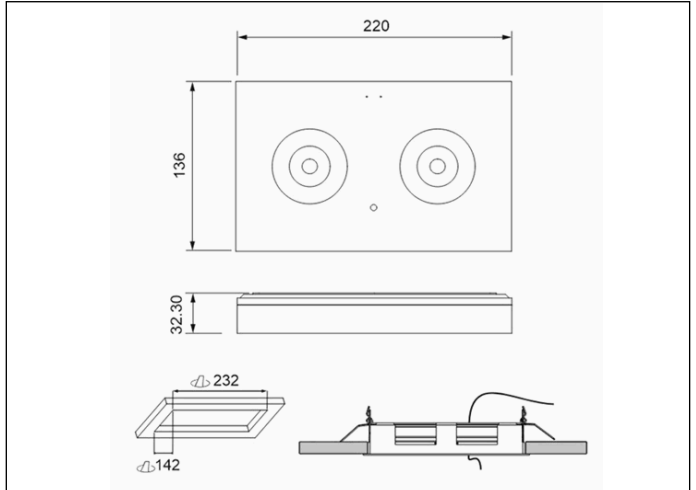


### Graphic reference



### Dimensions



**Control System:** AutoTest

**Luminaire:** Self-Contained

**Standards:** EN-60598-1,  
EN-60598-2-22, EN-62034

**Certification:** CE

### Electrical characteristics

**Supply:** 230V 50Hz<2.8W  
**Maintained mode consumption:** 2,8 W  
**Non-maintained mode consumption:** 1,0 W  
**Working temperature:** 0-40°C  
**Emergency lamp:** 2XLEDS 3W  
**Emergency lumen output:** 280 lm  
**Maintained lumen output:** 170 lm  
**Battery:** 3.2V-3.0Ah LFP

**Class:** II  
**Mode:** M/NM  
**Power factor:** - %  
**Signaling Luminaire:** -  
**LED temperature:** 4000°K  
**Duration:** 3 h  
**Remote control:** Yes  
**Charging time:** 12 h

### Mechanical characteristics

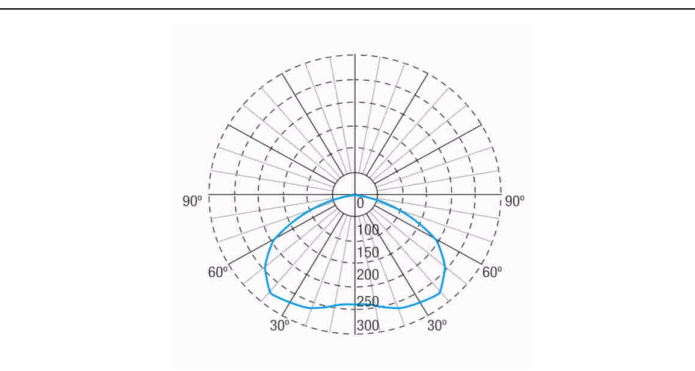
**Housing:** Polycarbonate  
**Diffuser:** Antipanic Lens  
**Suitable for flammable surfaces:** Yes

**IP/IK:** IP42/IK04  
**Finish:** White RAL9003

**Weight:** 0,58KG

**ATEX Envelope:**

### Photometric curve



### Interdistance

Installation height	Interdistance (Left)	Interdistance (Right)
2,0 m	8,36 m	8,26 m
2,5 m	9,71 m	9,54 m
3,0 m	10,88 m	10,64 m
3,5 m	11,92 m	11,63 m

### Installation characteristics

Maintained luminaires use 3 terminals to enable / disable the maintained mode.  
Installation with mounting plate.  
Possibility of installation in:  
    Ceiling/Wall surface.  
    Recessed in ceiling.  
Possibility of connection with:  
    Surface tube wiring.

### Operating characteristics

The luminaire has status LEDs, which indicates:  
    Status of the battery charging circuit.  
    Battery status (duration)  
    Emergency status function.  
    Test status.

Microprocessor controlled luminaire that performs periodic and automatic tests.  
    Functional test every 7 days.  
    Duration test every 365 days.

The test result is shown in the status indicator LEDs.

Remote control input that allows:  
    Put on Standby without power supply.  
    Restart in emergency status without power supply.  
    Switch on in emergency status (more than 24 h of charge)  
    Manual and remote duration test. (more than 24 hours of charge).  
    Date and time programming of the tests.  
    Reset of the luminaire status.

### General Envelope data

### Accessories

**AMT0061**



ACC. REC. SPAZIO TOLEDO IP40  
WHITE CEILING

**ABX1761**



ACC. PANEL REC. SPAZIO TOLEDO  
WHITE SERIG. RIGHT/LEFT ARROW

**ABX1861**



ACC. PANEL REC. SPAZIO TOLEDO  
WHITE SERIG. UP ARROW

**ABX1961**



ACC. PANEL REC. SPAZIO TOLEDO  
IP65 WHITE SERIG. DOWN ARROW

**ABT1781**



ACC. PANEL SURF. TOLEDO IP42  
WHITE SERIG. RIGHT/LEFT ARROW

**ABT1881**

ACC. PANEL SURF TOLEDO IP42  
WHITE SERIG. UP ARROW

**ABT1981**



ACC. PANEL SURF TOLEDO IP42  
WHITE SERIG. DOWN ARROW