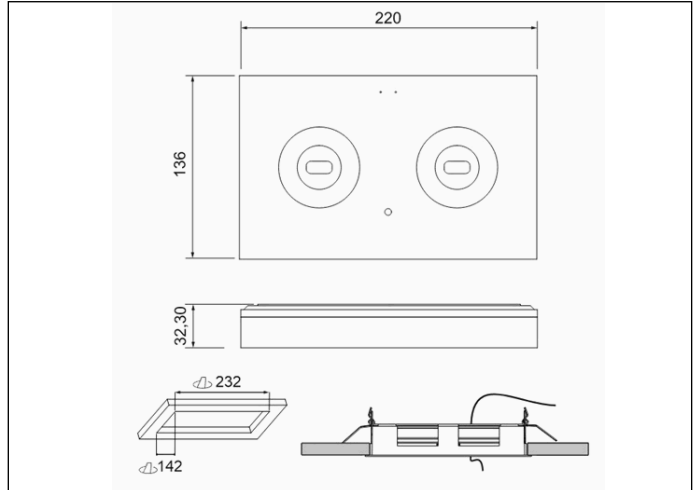


### Graphic reference



### Dimensions



**Control System:** SmartZ

**Luminaire:** Self-Contained

**Standards:** EN-60598-1,  
EN-60598-2-22, EN-62034,  
ETSI EN 303 446-1 V1.2.1

**Certification:** CE

### Electrical characteristics

**Supply:** 230V 50Hz<1.0W

**Maintained mode consumption:** - W

**Non-maintained mode consumption:** 1,0 W

**Working temperature:** 0-40°C

**Emergency lamp:** 2XLEDS 3W

**Emergency lumen output:** 500 lm

**Maintained lumen output:** 300 lm

**Battery:** 3.2V-3.0Ah LFP

**Class:** II

**Mode:** NM

**Power factor:** - %

**Signaling Luminaire:** -

**LED temperature:** 4000°K

**Duration:** 1 h

**Remote control:** No

**Charging time:** 12 h

### Mechanical characteristics

**Housing:** Polycarbonate

**Diffuser:** Escape Lens

**Suitable for flammable surfaces:** Yes

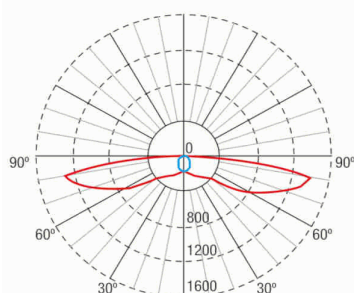
**ATEX Envelope:**

**IP/IK:** IP42/IK04

**Finish:** White RAL9003

**Weight:** 0,58KG

### Photometric curve



### Interdistance

**Installation height**



2,0 m	19,37 m	6,55 m
2,5 m	22,98 m	7,75 m
3,0 m	26,23 m	8,80 m
3,5 m	29,23 m	9,64 m

### Installation characteristics

Maintained luminaires use 3 terminals to enable / disable the maintained mode.  
Installation with mounting plate.  
Possibility of installation in:  
    Ceiling surface.  
    Recessed in ceiling.  
Possibility of connection with:  
    Surface tube wiring.  
Luminaire for corridor lighting.

### Operating characteristics

The luminaire has status LEDs, which indicates:  
    Status of the battery charging circuit.  
    Battery status (duration)  
    Emergency status function.  
    Test status.

Microprocessor controlled luminaire  
The luminaire can be connected to a control unit.  
When the luminaire is installed without a control unit, it performs periodic and automatic tests.  
    Functional test every 7 days.  
    Duration test every 365 days.

The test result is shown in the status indicator LEDs.  
Wireless communication that allows: Communication with Control unit by wireless communication with a 2.4Ghz frequency system.

### General Envelope data

### Accessories

**AMT0061**



ACC. REC. SPAZIO TOLEDO IP40  
WHITE CEILING

**ABX1781**



ACC. PANEL REC. TOLEDO IP44  
WHITE SERIG. RIGHT/LEFT ARROW

**ABX1881**



ACC. PANEL REC. TOLEDO IP44  
WHITE TRANSP. SERIG. UP ARROW

**ABX1981**



ACC. PANEL REC. TOLEDO IP44  
WHITE SERIG. DOWN ARROW