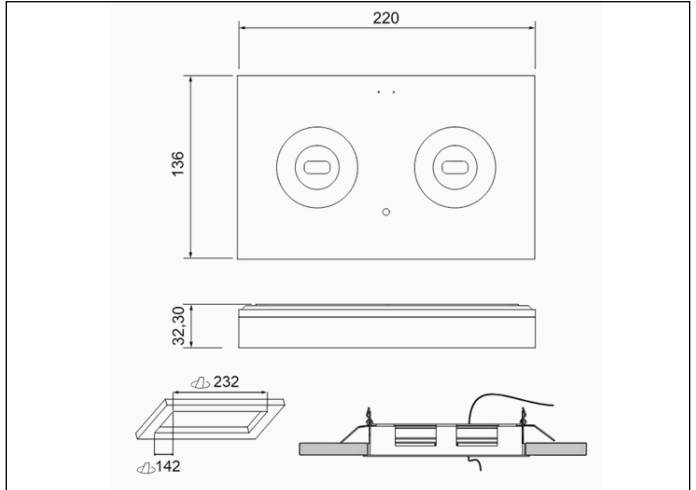


Graphic reference



Dimensions



Control System: AutoTest

Luminaire: Self-Contained

Standards: EN-60598-1,
EN-60598-2-22, EN-62034

Certification: CE

Electrical characteristics

Supply: 230V 50Hz<3.8W
Maintained mode consumption: 3,8 W
Non-maintained mode consumption: 1,0 W
Working temperature: 0-40°C
Emergency lamp: 2XLEDS 3W
Emergency lumen output: 500 lm
Maintained lumen output: 300 lm
Battery: 3.2V-3.0Ah LFP

Class: II
Mode: M/NM
Power factor: - %
Signaling Luminaire: -
LED temperature: 4000°K
Duration: 1 h
Remote control: Yes
Charging time: 12 h

Mechanical characteristics

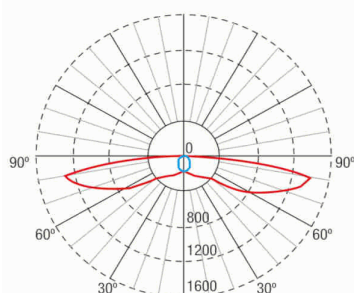
Housing: Polycarbonate
Diffuser: Escape Lens
Suitable for flammable surfaces: Yes

IP/IK: IP42/IK04
Finish: White RAL9003

Weight: 0,39KG

ATEX Envelope:

Photometric curve



Interdistance

Installation height



2,0 m	19,37 m	6,55 m
2,5 m	22,98 m	7,75 m
3,0 m	26,23 m	8,80 m
3,5 m	29,23 m	9,64 m

Installation characteristics

Maintained luminaires use 3 terminals to enable / disable the maintained mode.
Installation with mounting plate.
Possibility of installation in:
 Ceiling surface.
 Recessed in ceiling.
Possibility of connection with:
 Surface tube wiring.
Luminaire for corridor lighting.

Operating characteristics

The luminaire has status LEDs, which indicates:
 Status of the battery charging circuit.
 Battery status (duration)
 Emergency status function.
 Test status.
Microprocessor controlled luminaire that performs periodic and automatic tests.
 Functional test every 7 days.
 Duration test every 365 days.
The test result is shown in the status indicator LEDs.

Remote control input that allows:
 Put on Standby without power supply.
 Restart in emergency status without power supply.
 Switch on in emergency status (more than 24 h of charge)
 Manual and remote duration test. (more than 24 hours of charge).
 Date and time programming of the tests.
 Reset of the luminaire status.

General Envelope data

Accessories

AMT0061



ACC. REC. SPAZIO TOLEDO IP40
WHITE CEILING

ABX1761



ACC. PANEL REC. SPAZIO TOLEDO
WHITE SERIG. RIGHT/LEFT ARROW

ABX1861



ACC. PANEL REC. SPAZIO TOLEDO
WHITE SERIG. UP ARROW

ABX1961



ACC. PANEL REC. SPAZIO TOLEDO
IP65 WHITE SERIG. DOWN ARROW

ABT1781



ACC. PANEL SURF. TOLEDO IP42
WHITE SERIG. RIGHT/LEFT ARROW

ABT1881

ACC. PANEL SURF TOLEDO IP42
WHITE SERIG. UP ARROW

ABT1981



ACC. PANEL SURF TOLEDO IP42
WHITE SERIG. DOWN ARROW