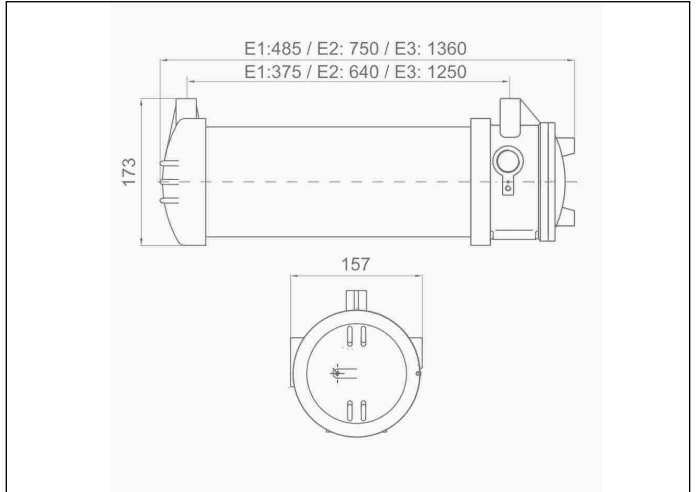


Graphic reference



Dimensions



Control System: SATI AutoTest **Luminaire:** Self-Contained

Standards: EN-60598-1,
EN-60598-2-22, EN-62034, EN
60079-0, EN 60079-1, EN
60079-31, NFC 71-800, NFC
71-820

Certification: CE, BAES
SATI NF V+, IECEx INE
17,0021X

Electrical characteristics

Supply: 230V 50Hz<1.0W
Maintained mode consumption: - W
Non-maintained mode consumption: 1,0 W
Working temperature: 0-50°C
Emergency lamp: 4 x LED 0.5W
Emergency lumen output: 45 lm
Maintained lumen output: - lm
Battery: 3.2V-0.5Ah LFP

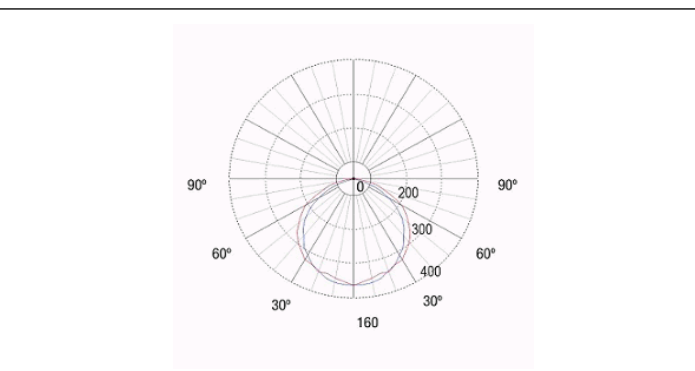
Class: I
Mode: NM
Power factor: - %
Signaling Luminaire: 2xleds blancos
LED temperature: 4000°K
Duration: 1 h
Remote control: Yes
Charging time: 12 h

Mechanical characteristics

Housing: Aluminum
Diffuser: Glass
Suitable for flammable surfaces: Yes
ATEX Protection: Zona 1/Zona 21/Ex db IIC T6 Gb/Ex tb IIIC
T85°C Db
ATEX Envelope: E1

IP/IK: IP66/IK07
Finish: Transparent
ATEX: Yes
Weight: 5,30KG

Photometric curve



Interdistance

Installation height	Diagram 1	Diagram 2
2,0 m	-	-
2,5 m	-	-
3,0 m	-	-
3,5 m	-	-

Installation characteristics

Electrical connection by 5-pole + T connector for cable up to 2.5 mm².
The maintained luminaires have the possibility of connection to enable / disable the maintained mode.
Possibility of installation in:
 Ceiling/Wall surface with clamping flanges.
 Suspended roof, with eyebolt.
Possibility of connection with:
 Surface tube wiring.
Two 3/4" NPT entries for cable glands (not included), one of which is provided with a plug.

Operating characteristics

The luminaire has status LEDs, which indicates:
 Status of the battery charging circuit.
 Battery status (duration)
 Emergency status function.
 Test status.
Microprocessor controlled luminaire that performs periodic and automatic tests.
 Functional test every 7 days.
 Duration test every 365 days.
The test result is shown in the status indicator LEDs.
Remote control input which allows:
 Put on Standby without power supply.
 Restart in emergency status without power supply.
 Switch on in emergency status (more than 24 h of charge)
 Manual and remote duration test. (more than 24 hours of charge).
 Date and time programming of the tests.
 Reset of the luminaire status.
 Remote error status communication (with TMU-100X + remote control).

General Envelope data

Tubular diffuser:
 Borosilicate glass, E1 (7mm thick) E2/E3 (9mm thick)
 Polycarbonate, UV protected. 3mm thick.
Casting & connections:
 Aluminum injection
 Manufactured from marine grade aluminum alloy copper free
 Yellow RAL-1003 polyurethane paint
 Explosion proof O-ring.
 2 entries 3/4" NPT for cable glands (not included)
 1 plug supplied
 Electric connection through 5P+T 2,5 mm² terminal block
 Suitable for installation on flammable surfaces

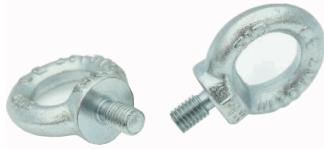
Accessories

BRD001



ACC. FLANGE FOR SURF. SATURNO
CEILING MOUNTING

CAM001



RING BOLT FOR PENDANT MOUNTING

PSA001



ACC. CABLE GLANDS SATURNO
METALLIC

APS600



ACC. PICTO. SATURNO
PERSON+LEFT ARROW