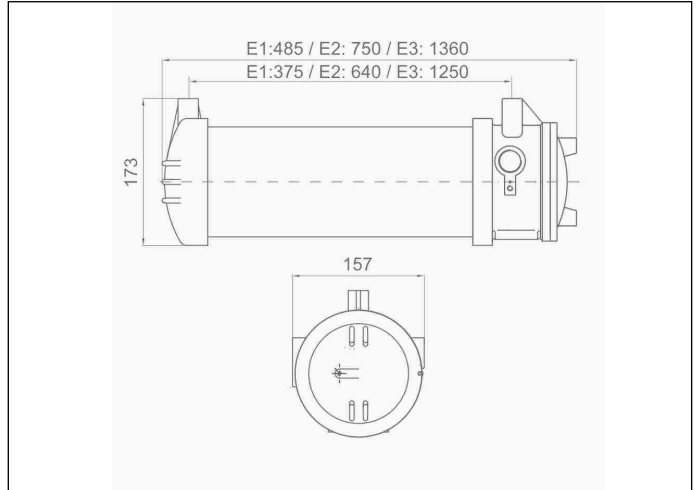


### Graphic reference



### Dimensions



**Control System:** AutoTest

**Luminaire:** Self-Contained

**Standards:** EN 60079-0 / EN 60079-1 / EN 60079-31/NFC 71-801, NFC 71-820, NF413

**Certification:** CE, IECEx / INERIS 21ATEX0034X, BAES SATI NF

### Electrical characteristics

**Supply:** 230V 50Hz<1.0W

**Maintained mode consumption:** - W

**Non-maintained mode consumption:** 1 W

**Working temperature:** 0-55°C

**Emergency lamp:** 12xLEDS 0.5W

**Emergency lumen output:** 400 lm

**Maintained lumen output:** - lm

**Battery:** 3.2V-1.8Ah LFP

**Class:** I

**Mode:** NM

**Power factor:** - %

**Signaling Luminaire:** 2 x White Led

**LED temperature:** 4000°K

**Duration:** 1 h

**Remote control:** Yes

**Charging time:** 12 h

### Mechanical characteristics

**Housing:** Aluminum

**Diffuser:** Glass

**Suitable for flammable surfaces:** Yes

**ATEX Protection:** Zona 1/Zona 21/Ex db IIC T6 Gb/Ex tb IIC T85°C Db

**ATEX Envelope:**

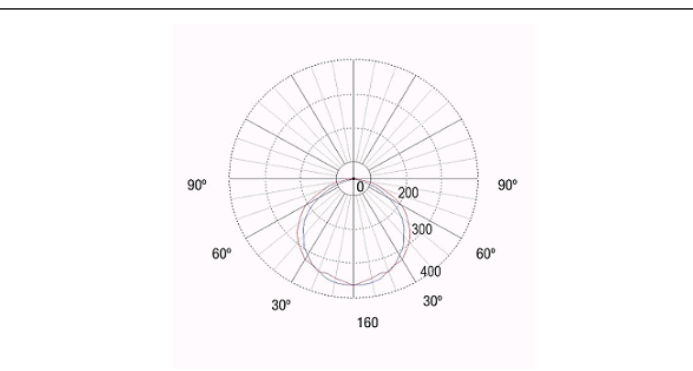
**IP/IK:** IP66/IK07

**Finish:** -

**ATEX:** Yes

**Weight:** 6,79KG

### Photometric curve



### Interdistance

**Installation height**

2,0 m

2,5 m

3,0 m

3,5 m



-

-

-

-

### Installation characteristics

Electrical connection by 5-pole + T connector for cable up to 2.5 mm<sup>2</sup>.  
The maintained luminaires have the possibility of connection to enable / disable the maintained mode.  
Possibility of installation in:  
    Ceiling/Wall surface with clamping flanges.  
    Suspended roof, with eyebolt.  
Possibility of connection with:  
    Surface tube wiring.  
Two 3/4" NPT entries for cable glands (not included), one of which is provided with a plug.

### Operating characteristics

The luminaire has status LEDs, which indicates:  
    Status of the battery charging circuit.  
    Battery status (duration)  
    Emergency status function.  
    Test status.  
Microprocessor controlled luminaire that performs periodic and automatic tests.  
    Functional test every 7 days.  
    Duration test every 365 days.  
The test result is shown in the status indicator LEDs.  
Remote control input which allows:  
    Put on Standby without power supply.  
    Restart in emergency status without power supply.  
    Switch on in emergency status (more than 24 h of charge)  
    Manual and remote duration test. (more than 24 hours of charge).  
    Date and time programming of the tests.  
    Reset of the luminaire status.  
    Remote error status communication (with TMU-100X + remote control).

### General Envelope data

Tubular diffuser:  
    Borosilicate glass, E1 (7mm thick) E2/E3 (9mm thick)  
    Polycarbonate, UV protected. 3mm thick.  
Casting & connections:  
    Aluminum injection  
    Manufactured from marine grade aluminum alloy copper free  
    Yellow RAL-1003 polyurethane paint  
    Explosion proof O-ring.  
    2 entries 3/4" NPT for cable glands (not included)  
    1 plug supplied  
    Electric connection through 5P+T 2,5 mm<sup>2</sup> terminal block  
    Suitable for installation on flammable surfaces

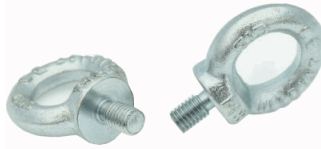
### Accessories

**BRD001**



ACC. FLANGE FOR SURF. SATURNO  
CEILING MOUNTING

**CAM001**



RING BOLT FOR PENDANT MOUNTING

**PSA001**



ACC. CABLE GLANDS SATURNO  
METALLIC

**APS600**



ACC. LEGEND SATURNO RUNNING  
MAN + ARROW