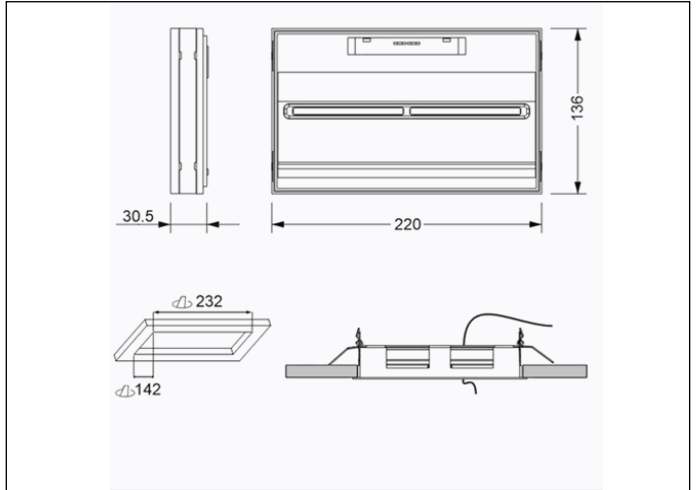


Graphic reference



Dimensions



Control System: SmartZ

Luminaire: Self-Contained

Standards: EN-60598-1,
EN-60598-2-22, EN-62034,
ETSI EN 303 446-1 V1.2.1

Certification: CE

Electrical characteristics

Supply: 230V 50Hz<0.9W

Maintained mode consumption: - W

Non-maintained mode consumption: 0,9 W

Working temperature: 0-40°C

Emergency lamp: 12 x LEDS 0.5W

Emergency lumen output: 100 lm

Maintained lumen output: - lm

Battery: 3.2V-0.5Ah LFP

Class: II

Mode: NM

Power factor: - %

Signaling Luminaire: -

LED temperature: 4000°K

Duration: 1 h

Remote control: No

Charging time: 12 h

Mechanical characteristics

Housing: Polycarbonate

Diffuser: Transparent Polycarbonate

Suitable for flammable surfaces: Yes

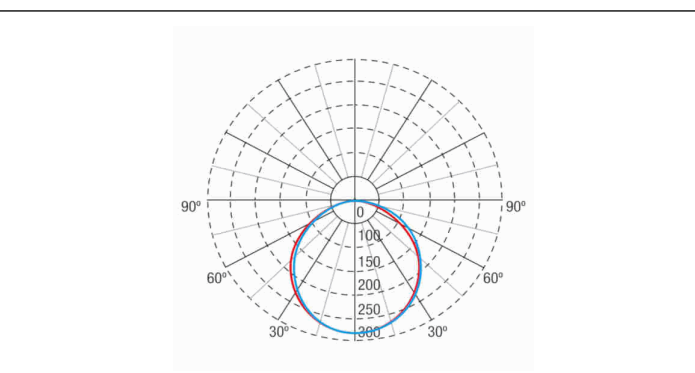
ATEX Envelope:

IP/IK: IP42/IK04

Finish: White RAL9003

Weight: 0,39KG

Photometric curve



Interdistance

Installation height	Beam Spread	Interdistance
2,0 m	6,86 m	6,86 m
2,5 m	7,45 m	7,42 m
3,0 m	7,86 m	7,82 m
3,5 m	8,14 m	8,09 m

Installation characteristics

Maintained luminaires have a selector bridge to enable / disable the maintained mode.

Installation with mounting plate.

Possibility of installation in:

- Ceiling/Wall surface.

- Recessed/flushed in ceiling.

- Recessed/flushed in wall.

Possibility of connection with:

- Recessed wiring.

Operating characteristics

The luminaire has status LEDs, which indicates:

- Status of the battery charging circuit.

- Battery status (duration)

- Emergency status function.

- Test status.

Microprocessor controlled luminaire

The luminaire can be connected to a control unit.

When the luminaire is installed without a control unit, it performs periodic and automatic tests.

- Functional test every 7 days.

- Duration test every 365 days.

The test result is shown in the status indicator LEDs.

Wireless communication that allows: Communication with Control unit by wireless communication with a 2.4Ghz frequency system.

General Envelope data

Accessories

AMT0081



ACC. REC. TOLEDO IP42 WHITE
CEILING

ABX0081



ACC. PANEL REC. TOLEDO IP42
WHITE TRANSP.

AET0081



ACC. REC. TOLEDO METALLIC SHEET
WALL DIM : 336X145X61MM

APT316



ACC. PICTO. TOLEDO UNIVERSAL
PERSON + ARROW

CTLD005



TOLEDO TRANSPARENT PC
DIFFUSER

ABT0081



ACC. PANEL SURF. TOLEDO IP42
WHITE WITHOUT SERIG.