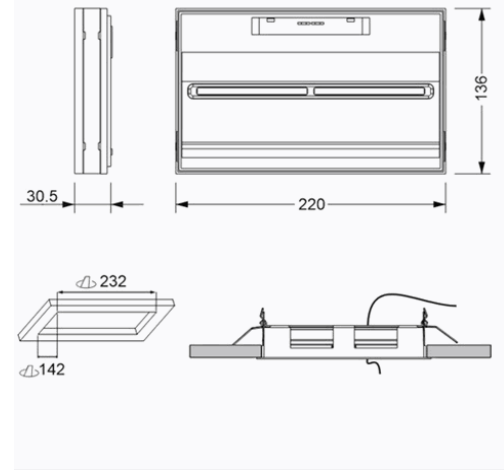


Graphic reference



Dimensions



Control System: AutoTest

Luminaire: Self-Contained

Standards: EN-60598-1,
EN-60598-2-22, EN-62034

Certification: CE

Electrical characteristics

Supply: 230V 50Hz<7.5W

Maintained mode consumption: 7,5 W

Non-maintained mode consumption: 2,0 W

Working temperature: 0-40°C

Emergency lamp: 12 x LEDS 1W

Emergency lumen output: 800 lm

Maintained lumen output: 400 lm

Battery: 6.4V-1.5Ah LFP

Class: II

Mode: M/NM

Power factor: - %

Signaling Luminaire: -

LED temperature: 4000°K

Duration: 1 h

Remote control: Yes

Charging time: 12 h

Mechanical characteristics

Housing: Polycarbonate

Diffuser: Transparent Polycarbonate

Suitable for flammable surfaces: Yes

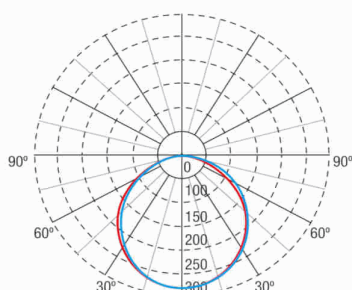
ATEX Envelope:

IP/IK: IP42/IK04

Finish: White RAL9003

Weight: 0,51KG

Photometric curve



Interdistance

Installation height



2,0 m	10,36 m	10,27 m
2,5 m	12,95 m	12,84 m
3,0 m	14,77 m	14,64 m
3,5 m	15,85 m	15,74 m

Installation characteristics

Maintained luminaires have a selector bridge to enable / disable the maintained mode.

Installation with mounting plate.

Possibility of installation in:

- Ceiling/Wall surface.

- Recessed/flushed in ceiling.

- Recessed/flushed in wall.

Possibility of connection with:

- Recessed wiring.

Operating characteristics

The luminaire has status LEDs, which indicates:

- Status of the battery charging circuit.

- Battery status (duration)

- Emergency status function.

- Test status.

Microprocessor controlled luminaire that performs periodic and automatic tests.

- Functional test every 7 days.

- Duration test every 365 days.

The test result is shown in the status indicator LEDs.

Remote control input that allows:

- Put on Standby without power supply.

- Restart in emergency status without power supply.

- Switch on in emergency status (more than 24 h of charge)

- Manual and remote duration test. (more than 24 hours of charge).

- Date and time programming of the tests.

- Reset of the luminaire status.

General Envelope data

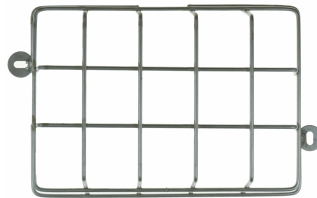
Accessories

AMT0081



ACC. REC. TOLEDO IP42 WHITE
CEILING

AGT000



ACC. PROTEC. GRILLE TOLEDO

AET0081



ACC. REC. TOLEDO METALLIC SHEET
WALL DIM : 336X145X61MM

CTLD005



TOLEDO TRANSPARENT PC
DIFFUSER

ABT1781



ACC. PANEL SURF. TOLEDO IP42
WHITE SERIG. RIGHT/LEFT ARROW

ABT1881

ACC. PANEL SURF TOLEDO IP42
WHITE SERIG. UP ARROW

ABT1981



ACC. PANEL SURF TOLEDO IP42
WHITE SERIG. DOWN ARROW

ABX1781



ACC. PANEL REC. TOLEDO IP44
WHITE SERIG. RIGHT/LEFT ARROW

ABX1881



ACC. PANEL REC. TOLEDO IP44
WHITE TRANSP. SERIG. UP ARROW