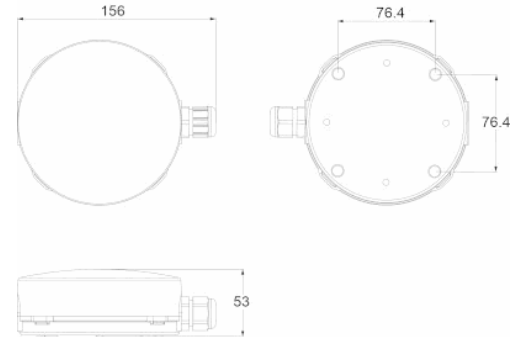


Graphic reference



Dimensions



Control System: AutoTest
Centralized Wireless
Standards: EN-60598-1,
EN-60598-2-22, EN-62034

Luminaire: Self-Contained
Certification: CE

Electrical characteristics

Supply: 230V 50Hz<2.8W
Maintained mode consumption: 2.8 W
Non-maintained mode consumption: 0.9 W
Working temperature: -10°C / 40°C
Emergency lamp: 12xLED 0.5W
Emergency lumen output: 425 lm
Maintained lumen output: 250 lm
Battery: 3.2V-1.5Ah LFP

Class: II
Mode: M/NM
Power factor: - %
Signaling Luminaire: -
LED temperature: 4000°K
Duration: 1 h
Remote control: No
Charging time: 12 h

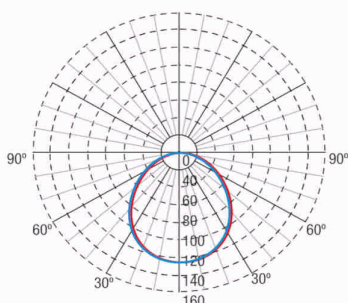
Mechanical characteristics

Envelope: Polycarbonate
Diffuser: Transparent Polycarbonate
Suitable for flammable surfaces: Yes

ATEX Envelope:

IP/IK: IP65/IK10
Finish: White RAL9003
Weight: 0,16KG

Photometric curve



Interdistance

Installation height

Installation height	Interdistance (Left)	Interdistance (Right)
2,0 m	9,80 m	9,78 m
2,5 m	10,98 m	10,96 m
3,0 m	11,92 m	11,91 m
3,5 m	12,74 m	12,73 m

Installation characteristics

Non-maintained luminaires use 4 terminals (2xL + 2xN) for supply connection.
Maintained luminaires use 5 terminals (2xL + 2xN + L1) to enable / disable the maintained mode.
Installation with mounting plate.
Possibility of installation in:
 Ceiling/Wall surface.
Possibility of connection with:
 Surface tube wiring (max. M20)

Operating characteristics

The luminaire has status LEDs, which indicates:
 Status of the battery charging circuit.
 Battery status (duration)
 Emergency status function.
 Test status.
Microprocessor controlled luminaire
The luminaire can be connected to a control unit.
When the luminaire is installed without a control unit, it performs periodic and automatic tests.
 Functional test every 7 days.
 Duration test every 365 days.
The test result is shown in the status indicator LEDs.
Wireless communication that allows: Communication with Control unit by wireless communication with a 868Mhz frequency system.

General Envelope data