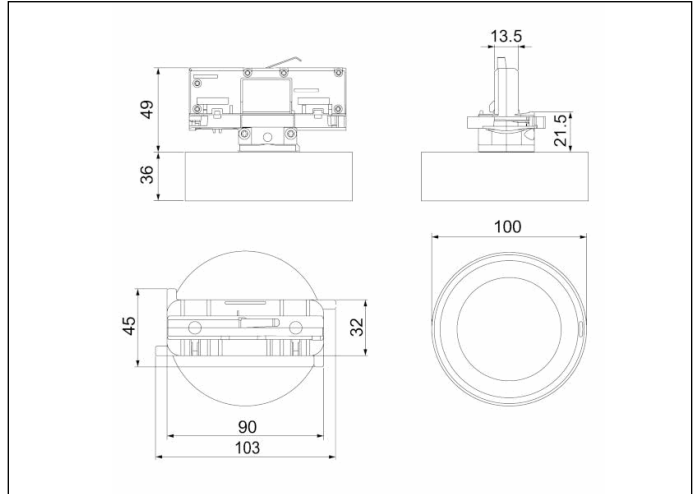


Graphic reference



Dimensions



Control System: SmartZ

Luminaire: Self-Contained

Standards: EN-60598-1,
EN-60598-2-22, EN-62034,
ETSI EN 303 446-1 V1.2.1

Certification: CE

Electrical characteristics

Supply: 230V 50Hz<2.5W

Maintained mode consumption: 2,5 W

Non-maintained mode consumption: - W

Working temperature: 0-40°C

Emergency lamp: 12xLED 0.5W

Emergency lumen output: 170 lm

Maintained lumen output: 100 lm

Battery: 3.2V-1.5Ah LFP

Class: II

Mode: -

Power factor: - %

Signaling Luminaire: -

LED temperature: 4000°K

Duration: 3 h

Remote control: No

Charging time: 12 h

Mechanical characteristics

Housing: Polycarbonate

Diffuser: Transparent Polycarbonate

Suitable for flammable surfaces: Yes

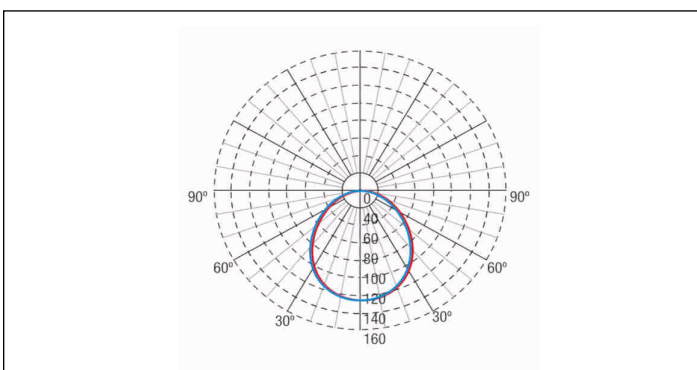
ATEX Envelope:

IP/IK: IP20/IK04

Finish: White RAL9003

Weight: 0,17KG

Photometric curve



Interdistance

Installation height

Installation height	Interdistance (Left)	Interdistance (Right)
2,0 m	7,72 m	7,70 m
2,5 m	8,47 m	8,46 m
3,0 m	9,08 m	9,08 m
3,5 m	9,58 m	9,58 m

Installation characteristics

Installation possibilities in:

Electrical rail.

Compatible with ONETRACK UL 3 circuits

Compatible with EUROSTANDARD tracks

Operating characteristics

The luminaire has status LEDs, which indicates:

Status of the battery charging circuit.

Battery status (duration)

Emergency status function.

Test status.

Microprocessor controlled luminaire

The luminaire can be connected to a control unit.

When the luminaire is installed without a control unit, it performs periodic and automatic tests.

Functional test every 7 days.

Duration test every 365 days.

The test result is shown in the status indicator LEDs.

Wireless communication that allows: Communication with Control unit by wireless communication with a 2.4Ghz frequency system.

General Envelope data