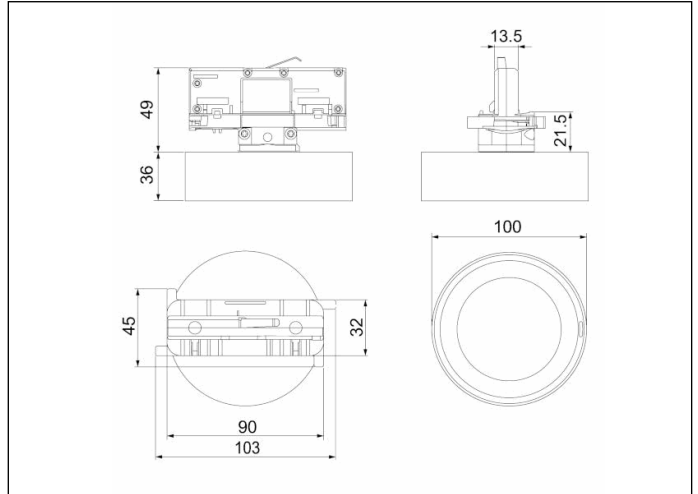


Graphic reference



Dimensions



Control System: AutoTest
Centralized Wireless

Luminaire: Self-Contained

Standards: EN-60598-1,
EN-60598-2-22, EN-62034

Certification: CE

Electrical characteristics

Supply: 230V 50Hz<3.0W
Maintained mode consumption: 3.0 W
Non-maintained mode consumption: - W
Working temperature: 0-40°C
Emergency lamp: 12xLED 0.5W
Emergency lumen output: 425 lm
Maintained lumen output: 250 lm
Battery: 3.2V-1.5Ah LFP

Class: II
Mode: M/NM
Power factor: - %
Signaling Luminaire: -
LED temperature: 4000°K
Duration: 1 h
Remote control: No
Charging time: 12 h

Mechanical characteristics

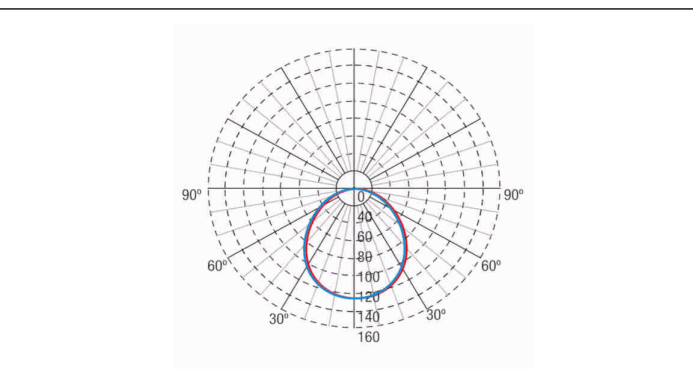
Envelope: Polycarbonate
Diffuser: Transparent Polycarbonate
Suitable for flammable surfaces: Yes

IP/IK: IP20/IK04
Finish: White RAL9003

Weight: 0,16KG

ATEX Envelope:

Photometric curve



Interdistance

Installation height



2,0 m	9,80 m	9,78 m
2,5 m	10,98 m	10,96 m
3,0 m	11,92 m	11,91 m
3,5 m	12,74 m	12,73 m

Installation characteristics

Installation possibilities in:

Electrical rail.

Compatible with ONETRACK UL 3 circuits

Compatible with EUROSTANDARD tracks

Operating characteristics

The luminaire has status LEDs, which indicates:

Status of the battery charging circuit.

Battery status (duration)

Emergency status function.

Test status.

Microprocessor controlled luminaire

The luminaire can be connected to a control unit.

When the luminaire is installed without a control unit, it performs periodic and automatic tests.

Functional test every 7 days.

Duration test every 365 days.

The test result is shown in the status indicator LEDs.

Wireless communication that allows: Communication with Control unit by wireless communication with a 868Mhz frequency system.

General Envelope data