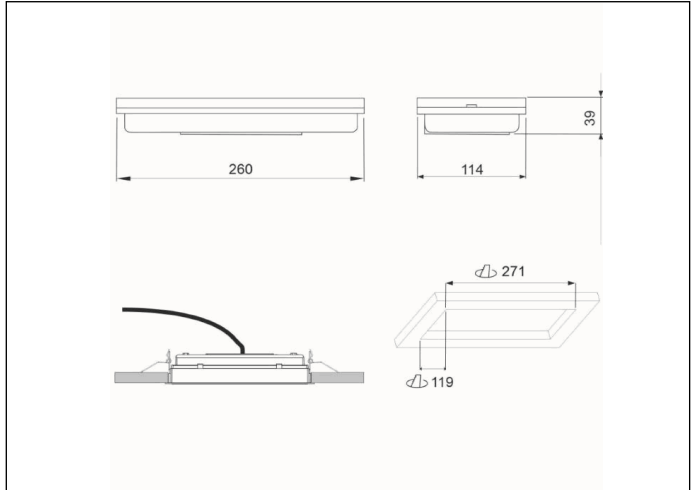


Graphic reference



Dimensions



Control System: DALI

Luminaire: Self-Contained

Standards: EN-60598-1,
EN-60598-2-22, EN-62034, EN
61347-2-7, EN 61347-2-13, EN
62386

Certification: CE



Electrical characteristics

Supply: 230V 50Hz<2.5W

Maintained mode consumption: 2,5 W

Non-maintained mode consumption: 0,9 W

Working temperature: 0-40°C

Emergency lamp: 12 x LED 0.5W

Emergency lumen output: 150 lm

Maintained lumen output: 90 lm

Battery: 3.2V-1.5Ah LFP

Class: II

Mode: -

Power factor: - %

Signaling Luminaire: -

LED temperature: 4000°K

Duration: 3 h

Remote control: No

Charging time: 12 h

Mechanical characteristics

Housing: Polycarbonate

Diffuser: Transparent Polycarbonate

Suitable for flammable surfaces: Yes

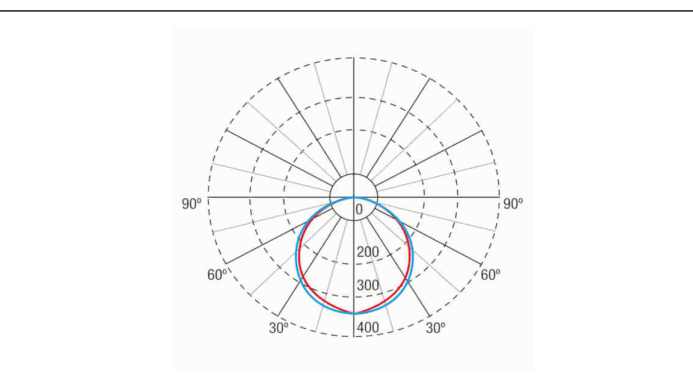
ATEX Envelope:

IP/IK: IP44/IK07

Finish: White RAL9003

Weight: 0,43KG

Photometric curve



Interdistance

Installation height



2,0 m	9,14 m	6,72 m
2,5 m	9,84 m	7,61 m
3,0 m	10,34 m	8,34 m
3,5 m	10,27 m	8,95 m

Installation characteristics

Maintained luminaires have a selector bridge to enable / disable the maintained mode.

Installation with mounting plate.

Possibility of installation in:

- Ceiling/Wall surface.

- Recessed in ceiling.

- Semi-recessed in wall.

Possibility of connection with:

- Recessed wiring.

- Surface tube wiring (max. M20)

Operating characteristics

Bus available for DALI communication.

The luminaire has a status LED, which indicates:

- Green LED: OK

- Yellow LED flashing: Battery charging or battery connection failure.

- LED off: Emergency operation failure or mains failure or defective LED or defective unit.

General Envelope data

Accessories

AMD0041



ACC. REC. XENA FLAT WHITE
CEILING

ABX4071



ACC. PANEL REC. XENA FLAT WHITE
WITHOUT SERIG.

AED0071



ACC. SEMI-REC. DIANA FLAT WHITE
WALL

AMU8001



ACC. FRAME REC. DIANA/XENA
WHITE UNIVERSAL

APT316



ACC. PICTO. TOLEDO UNIVERSAL
PERSON + ARROW

APV616



ACC. PICTO. DIANA FLAT PERSON +
LEFT ARROW

APV617



ACC. PICTO. DIANA FLAT PERSON +
RIGHT ARROW

APV618

ACC. PICTO. DIANA FLAT PERSON
+UP ARROW

APV619



ACC. PICTO. DIANA FLAT PERSON +
DOWN ARROW