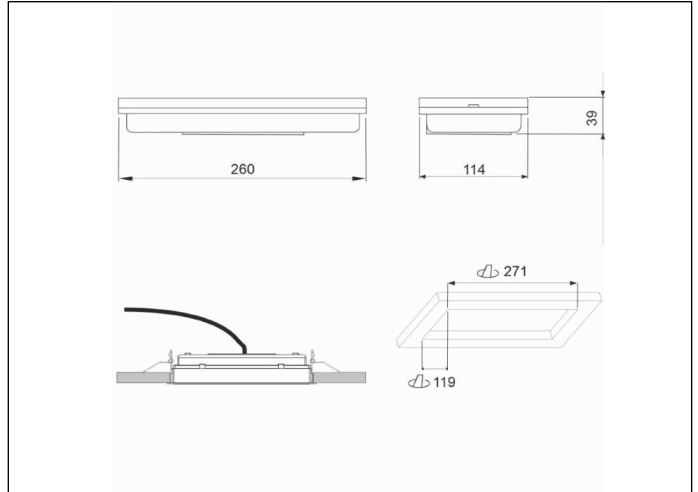


Graphic reference



Dimensions



Control System: AutoTest
Centralized Wireless

Luminaire: Self-Contained

Standards: EN-60598-1,
EN-60598-2-22, EN-62034,
EN-300-220-1, EN-300-220-2

Certification: CE, ENEC,
KITEMARK, CIVIL DEFENSE



Electrical characteristics

Supply: 230V 50Hz<2.5W
Maintained mode consumption: 2,5 W
Non-maintained mode consumption: 0,9 W
Working temperature: 0-40°C
Emergency lamp: 12xLED 0.5W
Emergency lumen output: 150 lm
Maintained lumen output: 90 lm
Battery: 3.2V-1.5Ah LFP

Class: II
Mode: Non-maintained / Maintained via switch-link
Power factor: - %
Signaling Luminaire: -
LED temperature: 4000°K
Duration: 3 h
Remote control: No
Charging time: 12 h

Mechanical characteristics

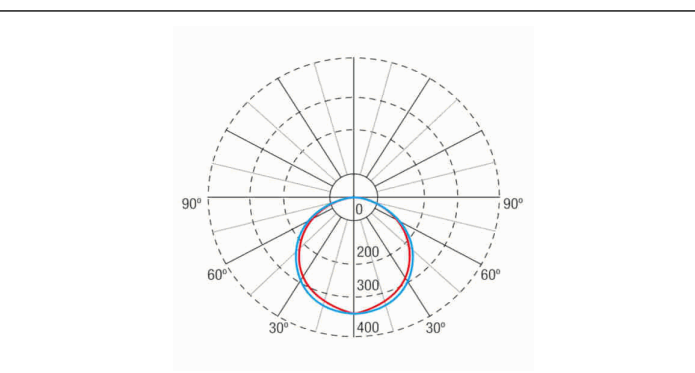
Housing: Polycarbonate
Diffuser: Transparent Polycarbonate
Suitable for flammable surfaces: Yes

IP/IK: IP44/IK07
Finish: White RAL9003

Weight: 0,48KG

ATEX Envelope:

Photometric curve



Interdistance

Installation height



2,0 m	9,14 m	6,72 m
2,5 m	9,84 m	7,61 m
3,0 m	10,34 m	8,34 m
3,5 m	10,27 m	8,95 m

Installation characteristics

Maintained luminaires have a selector bridge to enable / disable the maintained mode.

Installation with mounting plate.

Possibility of installation in:

- Ceiling/Wall surface.

- Recessed in ceiling.

- Semi-recessed in wall.

Possibility of connection with:

- Recessed wiring.

- Surface tube wiring (max. M20)

Operating characteristics

The luminaire has status LEDs, which indicates:

- Status of the battery charging circuit.

- Battery status (duration)

- Emergency status function.

- Test status.

Microprocessor controlled luminaire

The luminaire can be connected to a control unit.

When the luminaire is installed without a control unit, it performs periodic and automatic tests.

- Functional test every 7 days.

- Duration test every 365 days.

The test result is shown in the status indicator LEDs.

Wireless communication that allows: Communication with Control unit by wireless communication with a 868Mhz frequency system.

General Envelope data

Accessories

AMD0041



ACC. REC. XENA FLAT WHITE

ABX4071



ACC. PANEL REC. XENA FLAT WHITE
- WITHOUT PRINTING

AED0071



ACC. SEMI-REC. DIANA FLAT WHITE

AMU8001



ACC. FRAME REC. DIANA/XENA
UNIVERSAL - WHITE

APT316



PICT. TOLEDO UNIVERSAL MAN +
ARROW

APV616



PICT. DIANA FLAT MAN + LEFT
ARROW

APV617



PICT. DIANA FLAT MAN + RIGHT
ARROW

APV618

PICT. DIANA FLAT MAN + UP ARROW

APV619



PICT. DIANA FLAT MAN + DOWN
ARROW