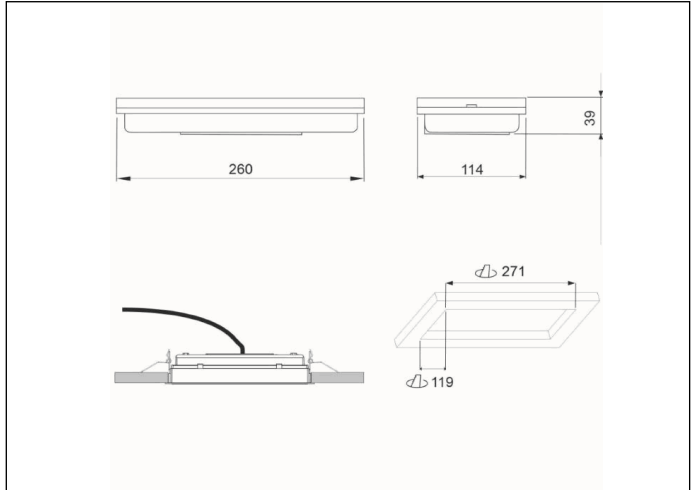


Graphic reference



Dimensions



Control System: Standard

Luminaire: Self-Contained

Standards: EN-60598-1,
EN-60598-2-22

Certification: CE

Electrical characteristics

Supply: 230V 50Hz<2.2W

Maintained mode consumption: - W

Non-maintained mode consumption: 2,2 W

Working temperature: 0-40°C

Emergency lamp: 12 x LED 0.5W

Emergency lumen output: 350 lm

Maintained lumen output: - lm

Battery: 3.6V-1.6Ah Ni-Cd

Class: II

Mode: NM

Power factor: - %

Signaling Luminaire: -

LED temperature: 4000°K

Duration: 1 h

Remote control: No

Charging time: 24 h

Mechanical characteristics

Housing: Polycarbonate

Diffuser: Transparent Polycarbonate

Suitable for flammable surfaces: Yes

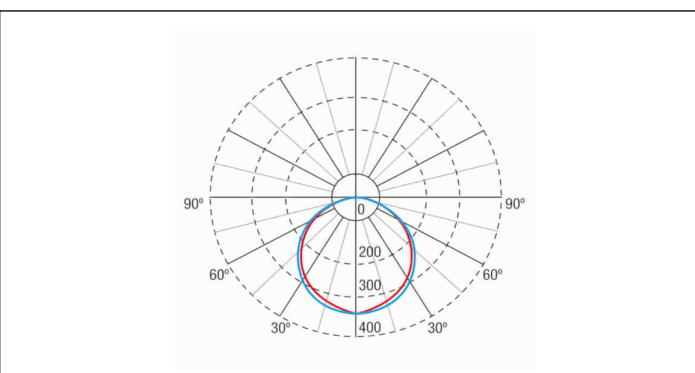
ATEX Envelope:

IP/IK: IP44/IK07

Finish: White RAL9003

Weight: 0,50KG

Photometric curve



Interdistance

Installation height



2,0 m	9,89 m	9,74 m
2,5 m	10,96 m	10,75 m
3,0 m	11,87 m	11,60 m
3,5 m	12,64 m	12,33 m

Installation characteristics

Maintained luminaires have a selector bridge to enable / disable the maintained mode.

Installation with mounting plate.

Possibility of installation in:

- Ceiling/Wall surface.

- Recessed in ceiling.

- Semi-recessed in wall.

Possibility of connection with:

- Recessed wiring.

- Surface tube wiring (max. M20)

Operating characteristics

The luminaire has a status LED, which indicates:

- Status of the battery charging circuit.

 - Green on = Battery charge OK.

 - Off = Wrong battery charge.

Remote control input that allows:

- Put on standby without power supply.

- Restart in emergency status without power supply.

- Emergency status test with power supply

General Envelope data

Accessories

AMD0041



ACC. REC. XENA FLAT WHITE
CEILING

ABX4071



ACC. PANEL REC. XENA FLAT WHITE
WITHOUT SERIG.

AED0071



ACC. SEMI-REC. DIANA FLAT WHITE
WALL

AMU8001



ACC. FRAME REC. DIANA/XENA
WHITE UNIVERSAL

APT316



ACC. PICTO. TOLEDO UNIVERSAL
PERSON + ARROW

APV616



ACC. PICTO. DIANA FLAT PERSON +
LEFT ARROW

APV617



ACC. PICTO. DIANA FLAT PERSON +
RIGHT ARROW

APV618

ACC. PICTO. DIANA FLAT PERSON
+UP ARROW

APV619



ACC. PICTO. DIANA FLAT PERSON +
DOWN ARROW