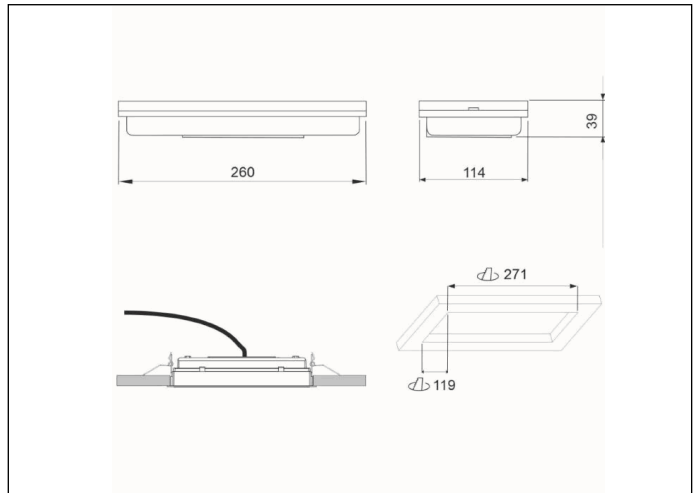


Graphic reference



Dimensions



Control System: AutoTest

Luminaire: Self-Contained

Standards: EN-60598-1,
EN-60598-2-22, EN-62034

Certification: CE, ENEC



Electrical characteristics

Supply: 230V 50Hz<3.8W

Maintained mode consumption: 3,8 W

Non-maintained mode consumption: 0,9 W

Working temperature: 0-40°C

Emergency lamp: 12 x LED 0.5W

Emergency lumen output: 390 lm

Maintained lumen output: 235 lm

Battery: 3.2V-1.5Ah LFP

Class: II

Mode: -

Power factor: - %

Signaling Luminaire: -

LED temperature: 4000°K

Duration: 1 h

Remote control: Yes

Charging time: 12 h

Mechanical characteristics

Housing: Polycarbonate

Diffuser: Transparent Polycarbonate

Suitable for flammable surfaces: Yes

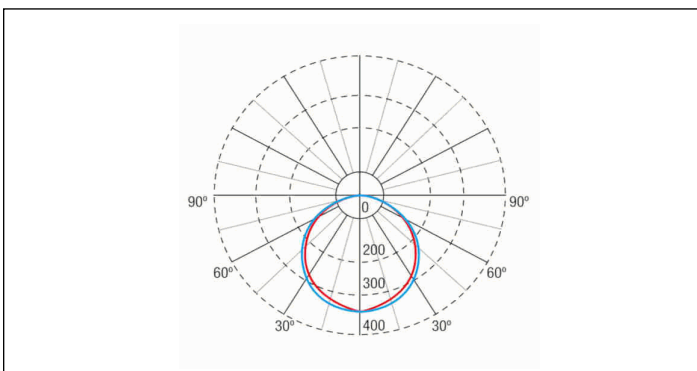
ATEX Envelope:

IP/IK: IP44/IK07

Finish: White RAL9003

Weight: 0,51KG

Photometric curve



Interdistance

Installation height



2,0 m	10,17 m	10,02 m
2,5 m	11,29 m	11,09 m
3,0 m	12,24 m	11,98 m
3,5 m	13,06 m	12,75 m

Installation characteristics

Maintained luminaires have a selector bridge to enable / disable the maintained mode.

Installation with mounting plate.

Possibility of installation in:

- Ceiling/Wall surface.

- Recessed in ceiling.

- Semi-recessed in wall.

Possibility of connection with:

- Recessed wiring.

- Surface tube wiring (max. M20)

Operating characteristics

The luminaire has status LEDs, which indicates:

- Status of the battery charging circuit.

- Battery status (duration)

- Emergency status function.

- Test status.

Microprocessor controlled luminaire that performs periodic and automatic tests.

- Functional test every 7 days.

- Duration test every 365 days.

The test result is shown in the status indicator LEDs.

Remote control input that allows:

- Put on Standby without power supply.

- Restart in emergency status without power supply.

- Switch on in emergency status (more than 24 h of charge)

- Manual and remote duration test. (more than 24 hours of charge).

- Date and time programming of the tests.

- Reset of the luminaire status.

General Envelope data

Accessories

AMD0041



ACC. REC. XENA FLAT WHITE
CEILING

ABX4071



ACC. PANEL REC. XENA FLAT WHITE
WITHOUT SERIG.

AED0071



ACC. SEMI-REC. DIANA FLAT WHITE
WALL

AMU8001



ACC. FRAME REC. DIANA/XENA
WHITE UNIVERSAL

APT316



ACC. PICTO. TOLEDO UNIVERSAL
PERSON + ARROW

APV616



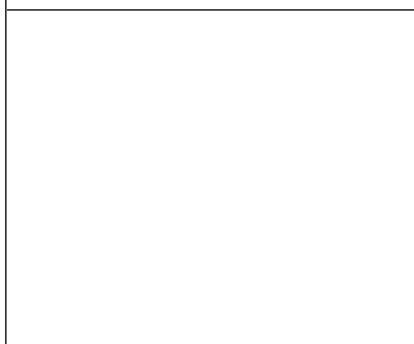
ACC. PICTO. DIANA FLAT PERSON +
LEFT ARROW

APV617



ACC. PICTO. DIANA FLAT PERSON +
RIGHT ARROW

APV618



ACC. PICTO. DIANA FLAT PERSON
+UP ARROW

APV619



ACC. PICTO. DIANA FLAT PERSON +
DOWN ARROW