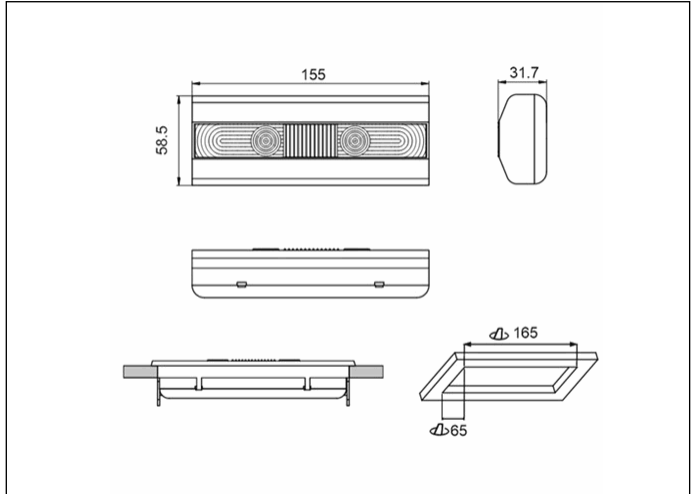


Graphic reference



Dimensions



Control System: AutoTest

Luminaire: Self-Contained

Standards: EN-60598-1,
EN-60598-2-22, EN-62034

Certification: CE

Electrical characteristics

Supply: 230V 50Hz<2.2W

Maintained mode consumption: - W

Non-maintained mode consumption: 2,2 W

Working temperature: 0-40°C

Emergency lamp: 6xLED 0.5W

Emergency lumen output: 150 lm

Maintained lumen output: - lm

Battery: 3.2V-1.5Ah LFP

Class: II

Mode: NM

Power factor: - %

Signaling Luminaire: -

LED temperature: 4000°K

Duration: 3 h

Remote control: No

Charging time: 24 h

Mechanical characteristics

Housing: Polycarbonate

Diffuser: Ambient + Directional Lens

Suitable for flammable surfaces: Yes

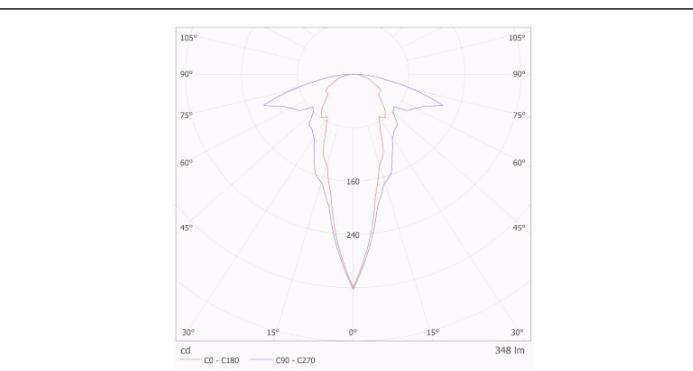
ATEX Envelope:

IP/IK: IP42/IK04

Finish: White RAL9003

Weight: 0,14KG

Photometric curve



Interdistance

Installation height



2,0 m	7,29 m	11,45 m
2,5 m	7,77 m	11,80 m
3,0 m	7,86 m	11,59 m
3,5 m	7,98 m	11,43 m

Installation characteristics

Maintained luminaires use 4 terminals (2xL + 2xN).
Luminaires have a selector bridge to enable / disable the maintained mode.
Installation with mounting plate.
Possibility of installation in:
 Ceiling/Wall surface.
 Recessed ceiling (with installation accessory)
Possibility of connection with:
 Recessed wiring.

Operating characteristics

The luminaire has status LEDs, which indicates:
 Status of the battery charging circuit.
 Battery status (duration)
 Emergency status function.
 Test status.
Microprocessor controlled luminaire that performs periodic and automatic tests.
 Functional test every 7 days.
 Duration test every 365 days.
The test result is shown in the status indicator LEDs.

Remote control input that allows:
 Put on Standby without power supply.
 Restart in emergency status without power supply.
 Switch on in emergency status (more than 24 h of charge)
 Manual and remote duration test. (more than 24 hours of charge).
 Date and time programming of the tests.
 Reset of the luminaire status.

General Envelope data

Accessories

AMY0011



ACC. REC. ALYA WHITE CEILING

AYE0065

ACC. ENVOL. IP65 ALYA WHITE