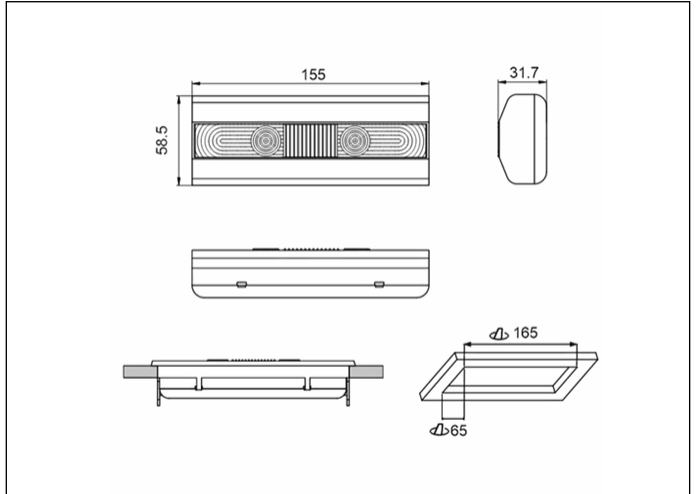


Graphic reference



Dimensions



Control System: Standard

Luminaire: Self-Contained

Standards: EN-60598-1,
EN-60598-2-22

Certification: CE

Electrical characteristics

Supply: 230V 50Hz<2.2W

Maintained mode consumption: - W

Non-maintained mode consumption: 2,2 W

Working temperature: 0-40°C

Emergency lamp: 6xLED 0.5W

Emergency lumen output: 350 lm

Maintained lumen output: - lm

Battery: 3.2V-1.5Ah LFP

Class: II

Mode: NM

Power factor: - %

Signaling Luminaire: -

LED temperature: 4000°K

Duration: 1 h

Remote control: No

Charging time: 24 h

Mechanical characteristics

Housing: Polycarbonate

Diffuser: Ambient + Directional Lens

Suitable for flammable surfaces: Yes

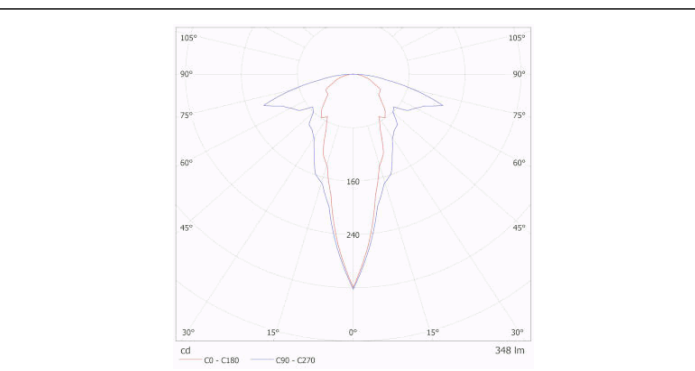
ATEX Envelope:

IP/IK: IP42/IK04

Finish: White RAL9003

Weight: 0,35KG

Photometric curve



Interdistance

Installation height



2,0 m 7,58 m 11,87 m

2,5 m 9,48 m 14,84 m

3,0 m 11,04 m 17,34 m

3,5 m 11,73 m 18,10 m

Installation characteristics

Maintained luminaires use 4 terminals (2xL + 2xN).
Luminaires have a selector bridge to enable / disable the maintained mode.
Installation with mounting plate.
Possibility of installation in:
 Ceiling/Wall surface.
 Recessed ceiling (with installation accessory)
Possibility of connection with:
 Recessed wiring.

Operating characteristics

The luminaire has a status LED, which indicates:
 Status of the battery charging circuit.
 On = Battery charge OK.
 Off = Wrong battery charge.
Remote control input that allows:
 Put on standby without power supply.
 Restart in emergency status without power supply.
 Emergency status test with power supply

General Envelope data

Accessories

AMY0011



ACC. REC. ALYA WHITE CEILING

AYE0065

ACC. ENVOL. IP65 ALYA WHITE